



Ultrasonic sensors
UM18, UM18-2 Core

UM18-218161101



Model Name > [UM18-218161101](#)
Part No. > [6048420](#)

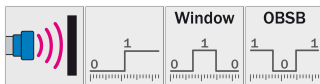


At a glance

- Reliable measurement independent of material color, transparency, gloss and ambient light
- Four ranges up to 1,300 mm
- Short plastic M18 housing with a length of 41 mm
- Straight or right-angle version
- High immunity to dirt, dust, humidity and fog
- PNP/NPN switching output

Your benefits

- Four sensing ranges up to 1,300 mm provide a range of flexible mounting options
- Easy machine integration due to short M18 housing available in straight or right-angle versions
- Solid, one-piece metal housing secures highest machine availability
- Unintentional adjustments to sensor settings are eliminated since teach-in process is done with an external wire
- Variety of application solutions due to insensitivity and reliability of ultrasound technology



Performance

Resolution:	0.2 mm
Working range, limiting range:	120 mm ... 1,000 mm, 1,300 mm
Repeatability ¹⁾ :	± 0.15 %
Accuracy ²⁾ :	0.17 %/K
Response time:	80 ms
Switching frequency:	10 Hz
Ultrasonic frequency (typical):	200 kHz
Detection area (typical):	See diagrams
Additional function:	Set switching mode: Distance to object (DtO)/switching window (Wnd)/ Object Between Sensor and Background (ObSB) Teach-in of switching output Invertible switching output Reset to factory default
Output time:	20 ms

1) 2) Referring to current measurement value

Interfaces

Output type ¹⁾ :	1 x PNP (200 mA)
Hysteresis:	20 mm

¹⁾ PNP: HIGH = $V_S - (< 2 V)$ /LOW = 0 V

Mechanics/electronics

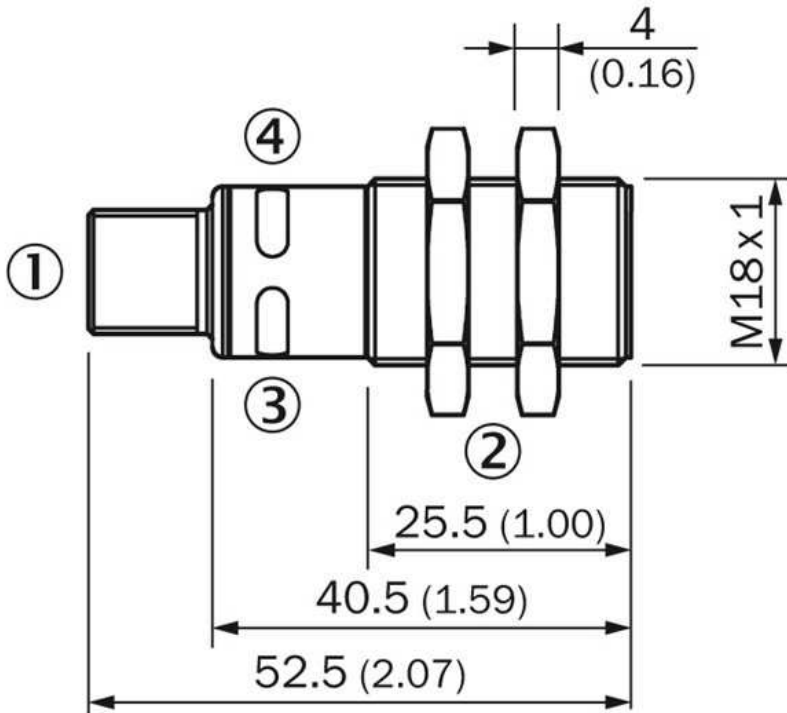
Sending axis:	Straight
Supply voltage V_S ¹⁾ :	DC 10 V ... 30 V
Power consumption ²⁾ :	$\leq 1.2 W$
Initialization time:	$< 300 ms$
Design:	Cylindrical
Housing material:	PBT ultrasonic transducer: polyurethane foam, glass epoxy resin
Electrical connection:	Male connector, M12, 4-pin
Indication:	2 x LED
Weight:	15 g

¹⁾ Limit values, reverse-polarity protected, operation in short-circuit protected network: max. 8 A ²⁾ Without load

Ambient data

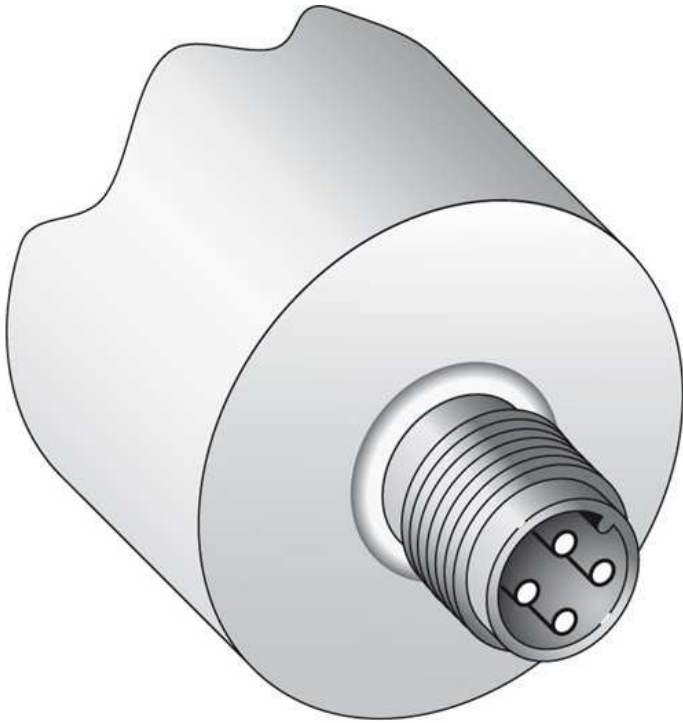
Enclosure rating:	IP 67
Protection class:	III
Ambient temperature:	Operation: $-25 \dots +70 \text{ }^\circ\text{C}$ Storage: $-40 \dots +85 \text{ }^\circ\text{C}$

Dimensional drawing

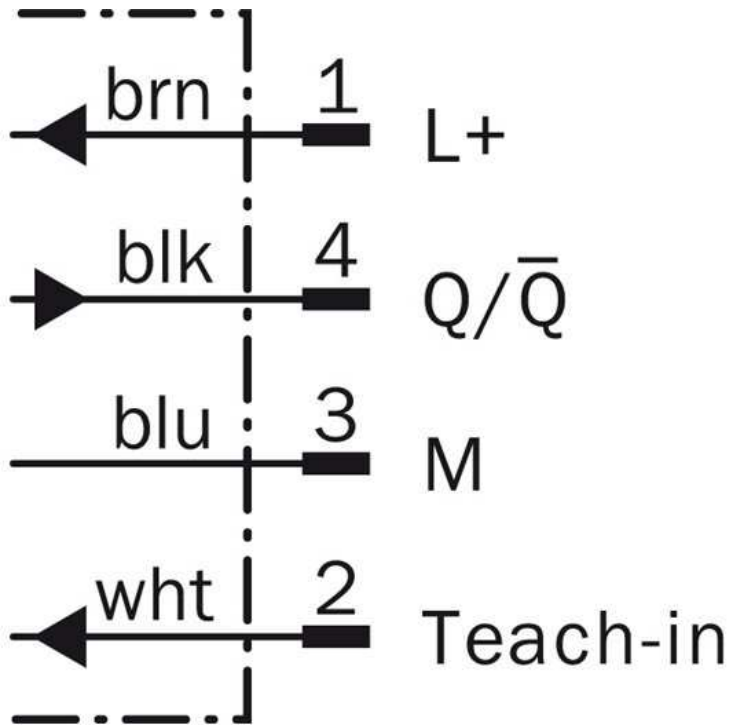


- |1| Connection
- |2| Mounting nuts, SW 24 mm
- |3| Status indicator power on (green)
- |4| Status indicator switching/analog output (orange)

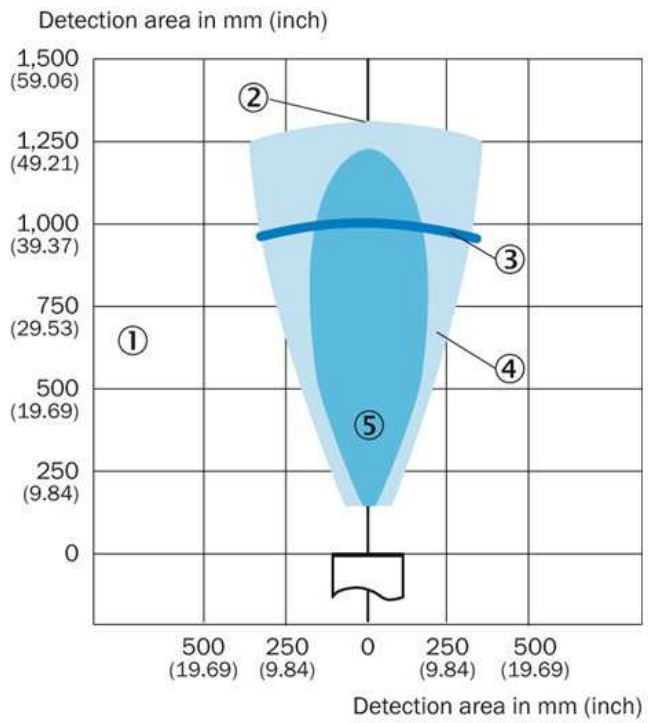
Connection type



Connection diagram



Detection area



- [1] Sensing range dependent on reflection properties, size and orientation of the object
- [2] Limiting range
- [3] Working range
- [4] example object: aligned plate 500 mm x 500 mm
- [5] example object: pipe with 27 mm diameter

Australia

Phone +61 3 9457 0600
1800 33 48 02 – tollfree
E-Mail sales@sick.com.au

Belgium/Luxembourg

Phone +32 (0)2 466 55 66
E-Mail info@sick.be

Brasil

Phone +55 11 3215-4900
E-Mail marketing@sick.com.br

Canada

Phone +1 905 771 14 44
E-Mail information@sick.com

Česká republika

Phone +420 2 57 91 18 50
E-Mail sick@sick.cz

China

Phone +86 4000 121 000
E-Mail info.china@sick.net.cn
Phone +852-2153 6300
E-Mail ghk@sick.com.hk

Danmark

Phone +45 45 82 64 00
E-Mail sick@sick.dk

Deutschland

Phone +49 211 5301-301
E-Mail info@sick.de

España

Phone +34 93 480 31 00
E-Mail info@sick.es

France

Phone +33 1 64 62 35 00
E-Mail info@sick.fr

Great Britain

Phone +44 (0)1727 831121
E-Mail info@sick.co.uk

India

Phone +91-22-4033 8333
E-Mail info@sick-india.com

Israel

Phone +972-4-6881000
E-Mail info@sick-sensors.com

Italia

Phone +39 02 27 43 41
E-Mail info@sick.it

Japan

Phone +81 (0)3 5309 2112
E-Mail support@sick.jp

Magyarország

Phone +36 1 371 2680
E-Mail office@sick.hu

Nederland

Phone +31 (0)30 229 25 44
E-Mail info@sick.nl

Norge

Phone +47 67 81 50 00
E-Mail sick@sick.no

Österreich

Phone +43 (0)22 36 62 28 8-0
E-Mail office@sick.at

Polska

Phone +48 22 837 40 50
E-Mail info@sick.pl

România

Phone +40 356 171 120
E-Mail office@sick.ro

Russia

Phone +7-495-775-05-30
E-Mail info@sick.ru

Schweiz

Phone +41 41 619 29 39
E-Mail contact@sick.ch

Singapore

Phone +65 6744 3732
E-Mail sales.gsg@sick.com

Slovenija

Phone +386 (0)1-47 69 990
E-Mail office@sick.si

South Africa

Phone +27 11 472 3733
E-Mail info@sickautomation.co.za

South Korea

Phone +82 2 786 6321/4
E-Mail info@sickkorea.net

Suomi

Phone +358-9-25 15 800
E-Mail sick@sick.fi

Sverige

Phone +46 10 110 10 00
E-Mail info@sick.se

Taiwan

Phone +886 2 2375-6288
E-Mail sales@sick.com.tw

Türkiye

Phone +90 (216) 528 50 00
E-Mail info@sick.com.tr

United Arab Emirates

Phone +971 (0) 4 88 65 878
E-Mail info@sick.ae

USA/México

Phone +1(952) 941-6780
1 (800) 325-7425 – tollfree
E-Mail info@sickusa.com

More representatives and agencies
at www.sick.com