



Inductive proximity sensors
Rectangular housing, IQ05

IQ05-0B8PS-ZUP



Model Name > [IQ05-0B8PS-ZUP](#)
Part No. > [6049725](#)



At a glance

- Sensing distance of 0.8 mm
- Can be flush mounted
- High switching frequency
- Short-circuit protection (pulsed)
- Rugged, nickel-plated brass housing
- IP 67 enclosure rating
- Extremely small and space-saving

Your benefits

- Time- saving, easy installation in space-critical applications
- Reliable detection of fast handling and assembly processes
- Quick and easy installation saves time
- Compact housing provides a high degree of design freedom



Features

| | |
|---------------------------|--|
| Design: | Rectangular |
| Dimensions (W x H x D): | 5 mm x 5 mm x 25 mm |
| Sensing range Sn: | 0.8 mm |
| Assured sensing range Sa: | 0.648 mm |
| Installation type: | Flush |
| Switching frequency: | 5,000 Hz |
| Output type: | PNP |
| Output function: | NO |
| Electrical wiring: | DC 3-wire |
| Enclosure rating: | IP 67 ¹⁾ |
| Electrical connection: | Cable with connector M8, 3-pin, 200 mm |

¹⁾ According to EN 60529

Mechanics/electronics

| | |
|---------------------------------|-----------------------|
| Supply voltage: | 10 V DC ... 30 V DC |
| Residual ripple: | ≤ 20 % ¹⁾ |
| Voltage drop: | ≤ 2 V ²⁾ |
| Power consumption: | ≤ 10 mA ³⁾ |
| Time delay before availability: | ≤ 10 ms |
| Hysteresis: | 1 % ... 10 % |

| | |
|---------------------------------|--------------------------------|
| Repeatability: | $\leq 1.5\%$ ⁴⁾ |
| Temperature drift (of Sr): | $\pm 10\%$ |
| EMC: | According to EN 60947-5-2 |
| Output current I _a : | $\leq 200\text{ mA}$ |
| Cable material: | PVC |
| Conductor cross-section: | 0.06 mm ² |
| Short-circuit protection: | ✓ |
| Reverse polarity protection: | ✓ |
| Power-up pulse protection: | ✓ |
| Shock and vibration resistance: | 30 g, 11 ms/10 ... 55 Hz, 1 mm |
| Ambient temperature operation: | -25 °C ... +70 °C |
| Sensing face material: | Plastic, Polyester |
| Housing material: | Metal, Chrome-plated brass |

1) Of V_S 2) At I_a max 3) Without load 4) U_b = 20 V DC ... 30 V DC, T_a = 23 °C ± 5 °C

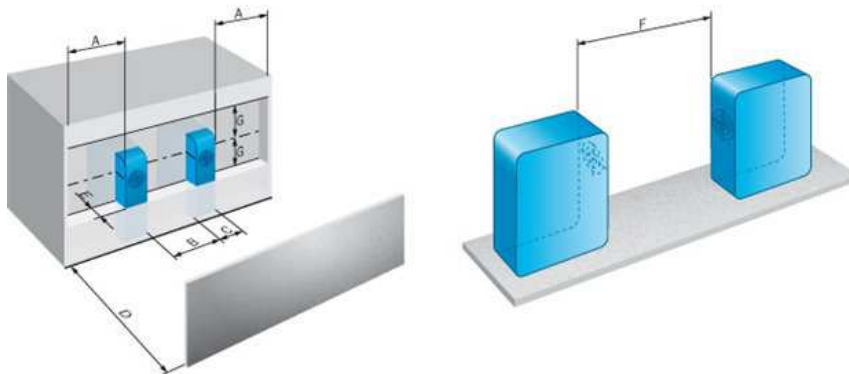
Reduction factors

| | |
|-----------------------------|--|
| Note: | The values are reference values which may vary |
| Stainless steel (V2A, 304): | Ca. 0.85 |
| Copper (Cu): | Ca. 0.6 |
| Aluminum (Al): | Ca. 0.6 |
| Brass (Br): | Ca. 0.7 |

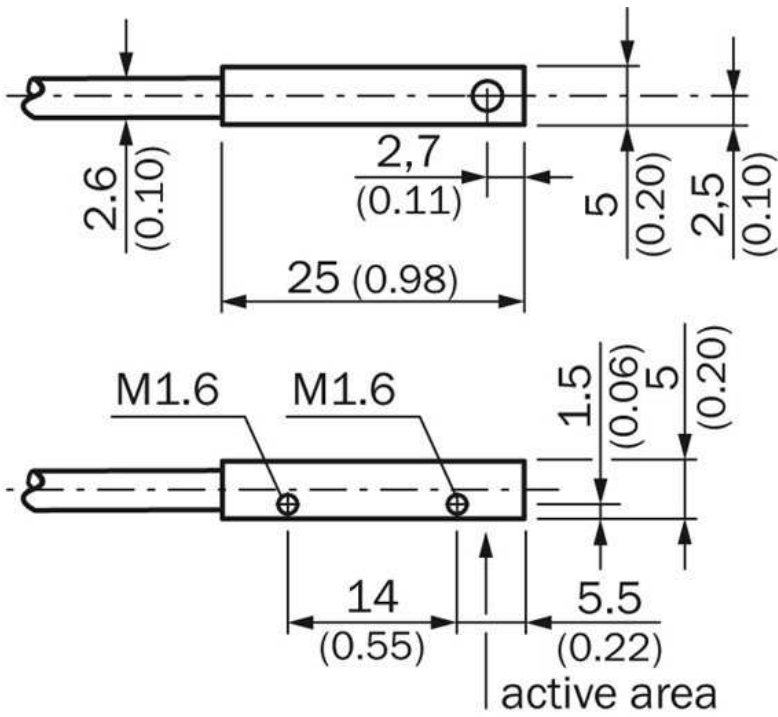
Installation note

Remark: Associated graphic see "Installation"

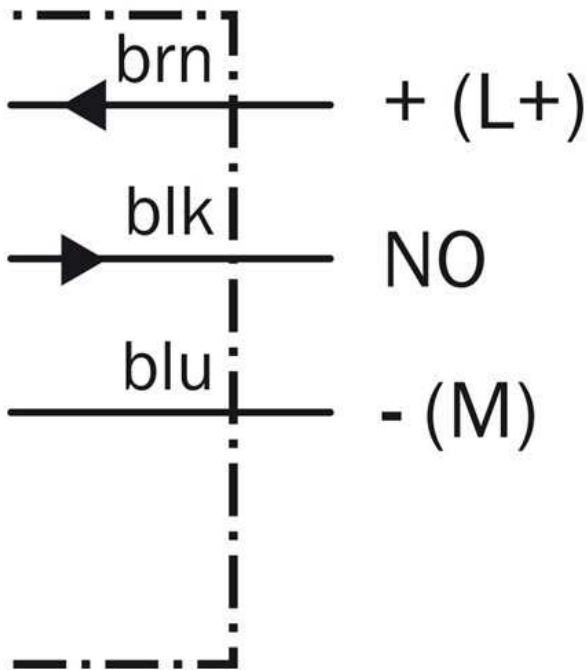
Installation note



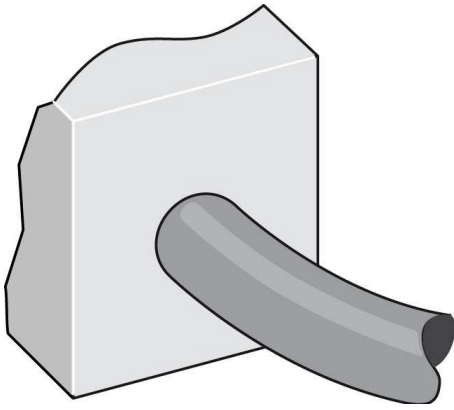
Dimensional drawing



Connection diagram



Connection type



Australia

Phone +61 3 9457 0600
1800 33 48 02 – tollfree
E-Mail sales@sick.com.au

Belgium/Luxembourg

Phone +32 (0)2 466 55 66
E-Mail info@sick.be

Brasil

Phone +55 11 3215-4900
E-Mail marketing@sick.com.br

Canada

Phone +1 905 771 14 44
E-Mail information@sick.com

Česká republika

Phone +420 2 57 91 18 50
E-Mail sick@sick.cz

China

Phone +86 4000 121 000
E-Mail info.china@sick.net.cn
Phone +852-2153 6300
E-Mail ghk@sick.com.hk

Danmark

Phone +45 45 82 64 00
E-Mail sick@sick.dk

Deutschland

Phone +49 211 5301-301
E-Mail info@sick.de

España

Phone +34 93 480 31 00
E-Mail info@sick.es

France

Phone +33 1 64 62 35 00
E-Mail info@sick.fr

Great Britain

Phone +44 (0)1727 831121
E-Mail info@sick.co.uk

India

Phone +91-22-4033 8333
E-Mail info@sick-india.com

Israel

Phone +972-4-6881000
E-Mail info@sick-sensors.com

Italia

Phone +39 02 27 43 41
E-Mail info@sick.it

Japan

Phone +81 (0)3 5309 2112
E-Mail support@sick.jp

Magyarország

Phone +36 1 371 2680
E-Mail office@sick.hu

Nederland

Phone +31 (0)30 229 25 44
E-Mail info@sick.nl

Norge

Phone +47 67 81 50 00
E-Mail sick@sick.no

Österreich

Phone +43 (0)22 36 62 28 8-0
E-Mail office@sick.at

Polska

Phone +48 22 837 40 50
E-Mail info@sick.pl

România

Phone +40 356 171 120
E-Mail office@sick.ro

Russia

Phone +7-495-775-05-30
E-Mail info@sick.ru

Schweiz

Phone +41 41 619 29 39
E-Mail contact@sick.ch

Singapore

Phone +65 6744 3732
E-Mail sales.gsg@sick.com

Slovenija

Phone +386 (0)1-47 69 990
E-Mail office@sick.si

South Africa

Phone +27 11 472 3733
E-Mail info@sickautomation.co.za

South Korea

Phone +82 2 786 6321/4
E-Mail info@sickkorea.net

Suomi

Phone +358-9-25 15 800
E-Mail sick@sick.fi

Sverige

Phone +46 10 110 10 00
E-Mail info@sick.se

Taiwan

Phone +886 2 2375-6288
E-Mail sales@sick.com.tw

Türkiye

Phone +90 (216) 528 50 00
E-Mail info@sick.com.tr

United Arab Emirates

Phone +971 (0) 4 88 65 878
E-Mail info@sick.ae

USA/México

Phone +1(952) 941-6780
1 (800) 325-7425 – tollfree
E-Mail info@sickusa.com

More representatives and agencies
at www.sick.com