



Inductive proximity sensors Cylindrical threaded housing, IM05

IM05-1B5POVT0S



Model Name > **IM05-1B5POVT0S**
Part No. > **6049740**



At a glance

- Operating distance up to 1,5 mm
- Small housing sizes and low weight
- Integrated LED indicator and snubber circuit
- Rugged stainless steel housing
- Thread sizes M5 available

Your benefits

- Trouble-free installation in space-critical applications provides a high degree of design freedom, saving machine space
- Reliable detection of rapid handling and assembly processes increases throughput
- High-visibility indicator LED for simple monitoring of operational state reduces commissioning time
- High positioning accuracy increases machine throughput
- High resistance to shock and vibrations reduces maintenance costs



Features

Design:	Cylindrical
Thread size:	M5 x 0.5
Sensing range Sn:	1.5 mm
Assured sensing range Sa:	1.215 mm
Installation type:	Flush
Switching frequency:	3,000 Hz
Output type:	PNP
Output function:	NC
Electrical wiring:	DC 3-wire
Enclosure rating:	IP 67 ¹⁾
Electrical connection:	Connector M8, 3-pin

¹⁾ According to EN 60529

Mechanics/electronics

Supply voltage:	10 V DC ... 30 V DC
Residual ripple:	≤ 20 % ¹⁾
Voltage drop:	≤ 2 V ²⁾
Power consumption:	≤ 10 mA ³⁾

Time delay before availability:	≤ 10 ms
Hysteresis:	1 % ... 10 %
Repeatability:	≤ 2 % ⁴⁾
Temperature drift (of Sr):	≤ 10 %
EMC:	According to EN 60947-5-2
Output current I _a :	≤ 200 mA
Short-circuit protection:	✓
Reverse polarity protection:	✓
Power-up pulse protection:	-
Shock and vibration resistance:	30 g, 11 ms/10 ... 55 Hz, 1 mm
Ambient temperature operation:	-25 °C ... 70 °C
Housing material:	Stainless steel
Housing cap material:	Plastic, PA 66
Housing length:	38 mm
Thread length:	22 mm
Tightening torque, max.:	≤ 1.8 Nm

1) Of V_S ²⁾ With I_a = 200 mA ³⁾ Without load ⁴⁾ U_b = 20 V DC ... 30 V DC, T_a = 23 °C ± 5 °C

Reduction factors

Note:	The values are reference values which may vary
Stainless steel (V2A, 304):	Ca. 0.75
Copper (Cu):	Ca. 0.4
Aluminum (Al):	Ca. 0.4
Brass (Br):	Ca. 0.5

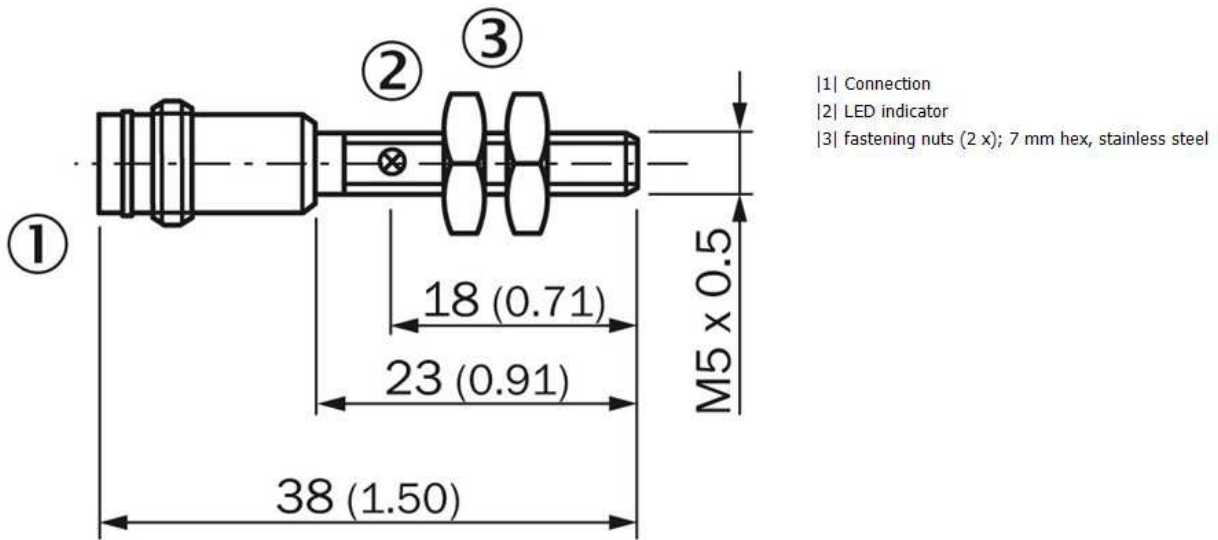
Installation note

E:	0 mm
Remark:	Associated graphic see "Installation"

Installation note

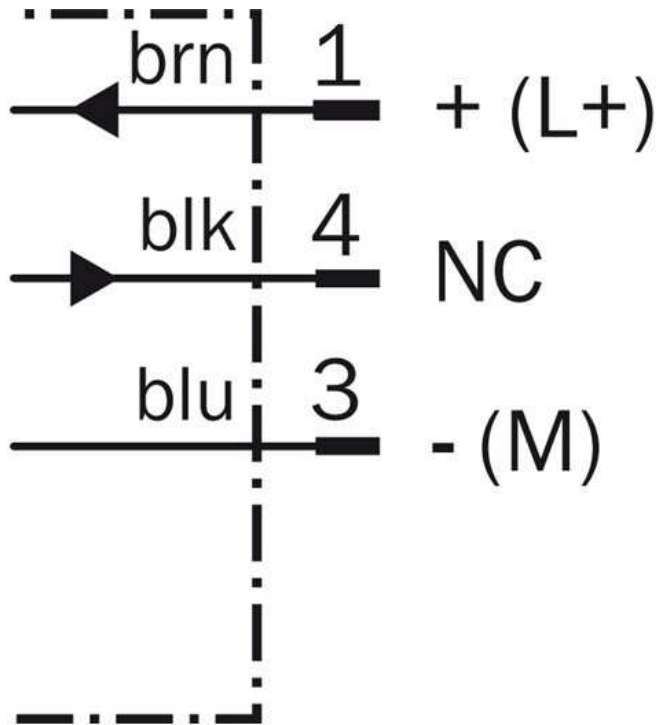


Dimensional drawing



All dimensions in mm (inch)

Connection diagram



Connection type



Australia

Phone +61 3 9457 0600
1800 33 48 02 – tollfree
E-Mail sales@sick.com.au

Belgium/Luxembourg

Phone +32 (0)2 466 55 66
E-Mail info@sick.be

Brasil

Phone +55 11 3215-4900
E-Mail marketing@sick.com.br

Canada

Phone +1 905 771 14 44
E-Mail information@sick.com

Česká republika

Phone +420 2 57 91 18 50
E-Mail sick@sick.cz

China

Phone +86 4000 121 000
E-Mail info.china@sick.net.cn
Phone +852-2153 6300
E-Mail ghk@sick.com.hk

Danmark

Phone +45 45 82 64 00
E-Mail sick@sick.dk

Deutschland

Phone +49 211 5301-301
E-Mail info@sick.de

España

Phone +34 93 480 31 00
E-Mail info@sick.es

France

Phone +33 1 64 62 35 00
E-Mail info@sick.fr

Great Britain

Phone +44 (0)1727 831121
E-Mail info@sick.co.uk

India

Phone +91-22-4033 8333
E-Mail info@sick-india.com

Israel

Phone +972-4-6881000
E-Mail info@sick-sensors.com

Italia

Phone +39 02 27 43 41
E-Mail info@sick.it

Japan

Phone +81 (0)3 5309 2112
E-Mail support@sick.jp

Magyarország

Phone +36 1 371 2680
E-Mail office@sick.hu

Nederland

Phone +31 (0)30 229 25 44
E-Mail info@sick.nl

Norge

Phone +47 67 81 50 00
E-Mail sick@sick.no

Österreich

Phone +43 (0)22 36 62 28 8-0
E-Mail office@sick.at

Polska

Phone +48 22 837 40 50
E-Mail info@sick.pl

România

Phone +40 356 171 120
E-Mail office@sick.ro

Russia

Phone +7-495-775-05-30
E-Mail info@sick.ru

Schweiz

Phone +41 41 619 29 39
E-Mail contact@sick.ch

Singapore

Phone +65 6744 3732
E-Mail sales.gsg@sick.com

Slovenija

Phone +386 (0)1-47 69 990
E-Mail office@sick.si

South Africa

Phone +27 11 472 3733
E-Mail info@sickautomation.co.za

South Korea

Phone +82 2 786 6321/4
E-Mail info@sickkorea.net

Suomi

Phone +358-9-25 15 800
E-Mail sick@sick.fi

Sverige

Phone +46 10 110 10 00
E-Mail info@sick.se

Taiwan

Phone +886 2 2375-6288
E-Mail sales@sick.com.tw

Türkiye

Phone +90 (216) 528 50 00
E-Mail info@sick.com.tr

United Arab Emirates

Phone +971 (0) 4 88 65 878
E-Mail info@sick.ae

USA/México

Phone +1(952) 941-6780
1 (800) 325-7425 – tollfree
E-Mail info@sickusa.com

More representatives and agencies
at www.sick.com