



Level sensors
Ultrasonic level sensor

UP56-212156



Model Name > [UP56-212156](#)
Part No. > [6049945](#)



Illustration may differ

At a glance

- Ultrasonic level sensor with very high chemical resistance
- Non-contact measurement in immersion pipe of up to 1500 mm
- PTFE-coated membrane and GF D40 process connection made of PTFE
- Pressure resistant up to 6 bar, temperature resistant up to 85°C
- Different sizes available
- Analog output selectable between 4 mA to 20 mA and 0 V to 10 V
- Switching output for monitoring the maximum and minimum limit

Your benefits

- Non-contact and non-wearing measurement reduces maintenance and service cost
- Sensor replacement possible even with chemicals present, thus saving time and increasing availability
- Universally applicable with acidic and alkaline processes
- Flexible measurement system for different container sizes provides cost reductions
- High precision measurements, even in liquids with density fluctuations
- Faultless operation with very limited installation space in the container
- Switching and analog output in one sensor reduces amount of wiring, I/O and stocking costs
- Simple and time-saving configuration with Connect+



Features

Medium:	Fluids
Measurement:	Switch, Continuous
Process pressure:	0 bar ... 2 bar, gauge pressure for mini
Process temperature:	-25 °C ... 85 °C
Measuring range in tank:	85 mm ... 350 mm
Measuring range immersion tube:	85 mm ... 1,500 mm

Performance

Resolution:	0.18 mm
Accuracy of sensor element:	≤ 1 % ¹⁾
Repeatability:	± 0.15 % ²⁾
Response time:	≤ 84 ms

1) 2) Of final value

Mechanical data

Housing material:	PP, PTFE
Process connection:	D40 GF connection
Housing design:	Mini

Electrical data

Ultrasonic frequency:	320 kHz
Enclosure rating:	IP 67
Supply voltage:	9 V DC ... 30 V DC ¹⁾
Residual ripple:	± 10 %
Power consumption:	≤ 80 mA ²⁾
Time delay before availability:	≤ 300 ms
Output signal::	4 mA ... 20 mA ^{3) 4)}
Hysteresis:	5 mm
Electrical connection:	Round connector M12 x 1, 5-pin
Ultrasonic transducer:	PTFE coating, FFKM

¹⁾ Reverse-polarity protected ²⁾ At 24 V DC without output load ³⁾ Short-circuit protected, reversible ⁴⁾ Automatic switching between voltage and current outputs

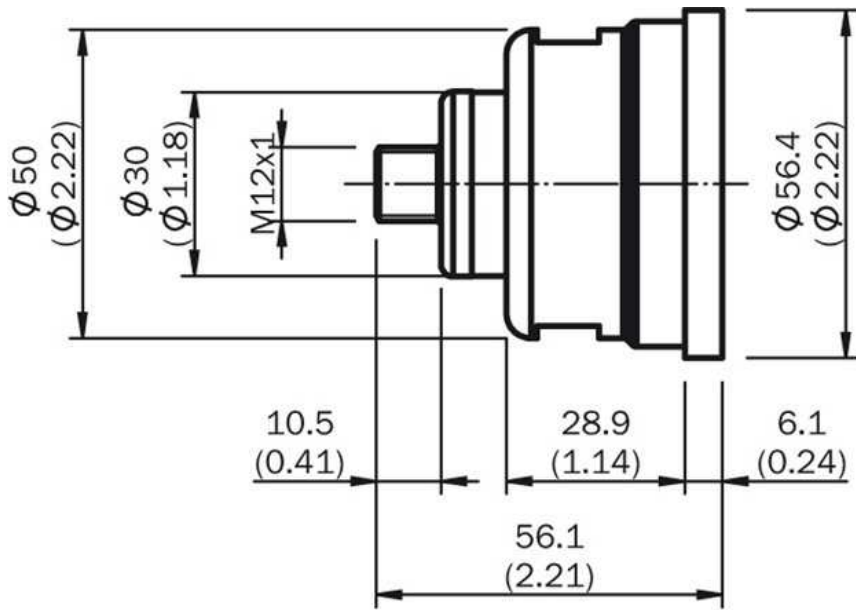
dependet on load 4 mA ... 20 mA: $RL \leq 100/$ at $9 V \leq U_B \leq 20 V$; $RL \leq 500/$ at $U_B \geq 20 V$; 0 V ... 10 V: $RL \geq 100 k/$ at $U_B \geq 15 V$, short-circuit protected

Ambient data

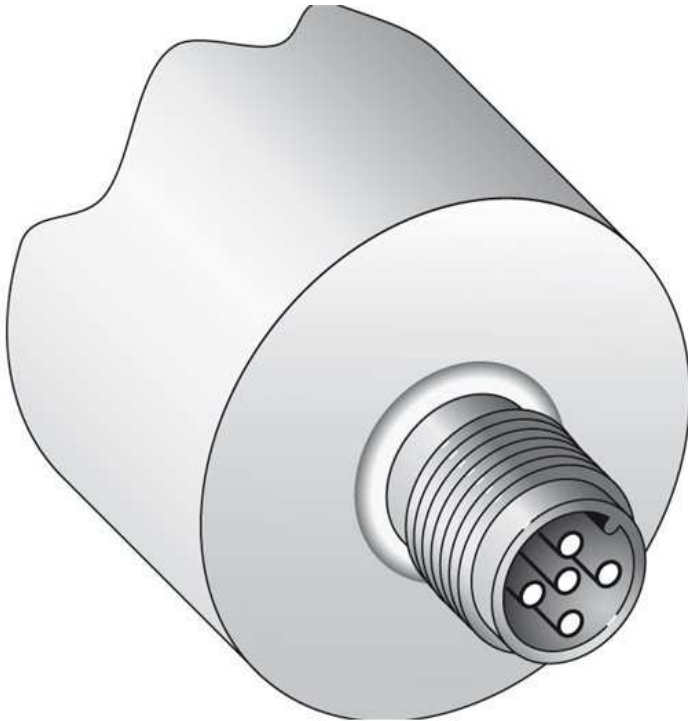
Ambient temperature operation:	-25 °C ... 60 °C ¹⁾
Ambient storage temperature:	-40 °C ... 85 °C

¹⁾ Temperature compensation at -25 °C ... 50 °C, can be switched off

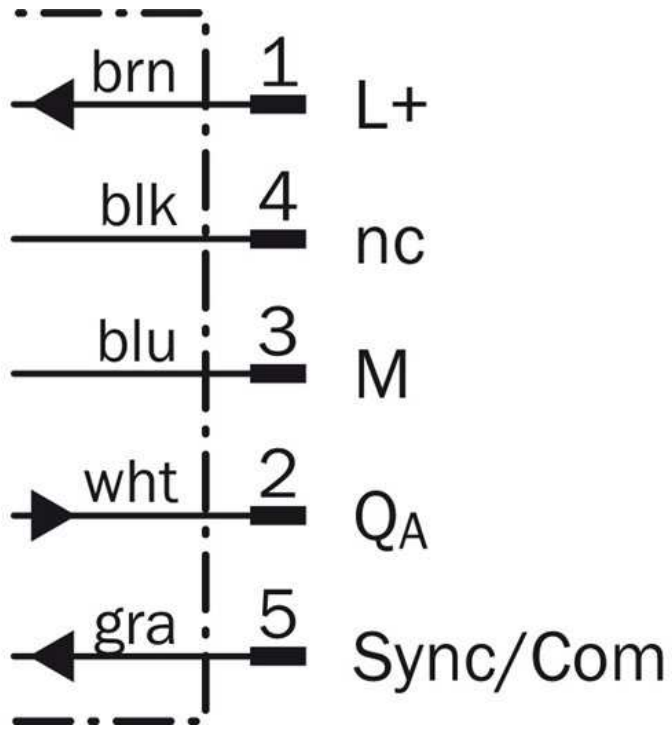
Dimensional drawing



Connection type



Connection diagram



Australia

Phone +61 3 9457 0600
1800 33 48 02 – tollfree
E-Mail sales@sick.com.au

Belgium/Luxembourg

Phone +32 (0)2 466 55 66
E-Mail info@sick.be

Brasil

Phone +55 11 3215-4900
E-Mail marketing@sick.com.br

Canada

Phone +1 905 771 14 44
E-Mail information@sick.com

Česká republika

Phone +420 2 57 91 18 50
E-Mail sick@sick.cz

China

Phone +86 4000 121 000
E-Mail info.china@sick.net.cn
Phone +852-2153 6300
E-Mail ghk@sick.com.hk

Danmark

Phone +45 45 82 64 00
E-Mail sick@sick.dk

Deutschland

Phone +49 211 5301-301
E-Mail info@sick.de

España

Phone +34 93 480 31 00
E-Mail info@sick.es

France

Phone +33 1 64 62 35 00
E-Mail info@sick.fr

Great Britain

Phone +44 (0)1727 831121
E-Mail info@sick.co.uk

India

Phone +91-22-4033 8333
E-Mail info@sick-india.com

Israel

Phone +972-4-6881000
E-Mail info@sick-sensors.com

Italia

Phone +39 02 27 43 41
E-Mail info@sick.it

Japan

Phone +81 (0)3 5309 2112
E-Mail support@sick.jp

Magyarország

Phone +36 1 371 2680
E-Mail office@sick.hu

Nederland

Phone +31 (0)30 229 25 44
E-Mail info@sick.nl

Norge

Phone +47 67 81 50 00
E-Mail sick@sick.no

Österreich

Phone +43 (0)22 36 62 28 8-0
E-Mail office@sick.at

Polska

Phone +48 22 837 40 50
E-Mail info@sick.pl

România

Phone +40 356 171 120
E-Mail office@sick.ro

Russia

Phone +7-495-775-05-30
E-Mail info@sick.ru

Schweiz

Phone +41 41 619 29 39
E-Mail contact@sick.ch

Singapore

Phone +65 6744 3732
E-Mail sales.gsg@sick.com

Slovenija

Phone +386 (0)1-47 69 990
E-Mail office@sick.si

South Africa

Phone +27 11 472 3733
E-Mail info@sickautomation.co.za

South Korea

Phone +82 2 786 6321/4
E-Mail info@sickkorea.net

Suomi

Phone +358-9-25 15 800
E-Mail sick@sick.fi

Sverige

Phone +46 10 110 10 00
E-Mail info@sick.se

Taiwan

Phone +886 2 2375-6288
E-Mail sales@sick.com.tw

Türkiye

Phone +90 (216) 528 50 00
E-Mail info@sick.com.tr

United Arab Emirates

Phone +971 (0) 4 88 65 878
E-Mail info@sick.ae

USA/México

Phone +1(952) 941-6780
1 (800) 325-7425 – tollfree
E-Mail info@sickusa.com

More representatives and agencies
at www.sick.com