



Inductive proximity sensors
Cylindrical threaded housing, IMP12

IMP12-1B5NPVC0C



Model Name > [IMP12-1B5NPVC0C](#)
Part No. > [6050124](#)



At a glance

- Pressure resistant up to 500 bar
- Expected service life of up to 1 million pressure cycles
- Sensing range of 1.5 mm flush
- IP 68
- Stainless steel housing with active surface made from stable high-performance ceramic
- State-of-the-art ASIC technology from SICK
- Gas-tight at the sensor face
- 3 and 4-wire versions

Your benefits

- Reduced maintenance costs
- Extremely resilient and durable
- Up to 50 times longer service life compared to conventional sensors under pressure cycles
- Simple compensation of cylinder tolerances
- Simple integration due to small design
- Controlled piston deceleration
- Increased piston service life due to collision prevention at the end of the work cycle



Features

Design:	Cylindrical
Thread size:	M12 x 1
Sensing range Sn:	1.5 mm
Assured sensing range Sa:	1.2 mm
Pressure resistance:	≤ 500 bar
Installation type:	Flush
Switching frequency:	600 Hz
Output type:	NPN
Output function:	Complementary
Electrical wiring:	DC 4-wire
Enclosure rating:	IP 68 ¹⁾
Electrical connection:	Connector M12, 4-pin

¹⁾ Sensing face

Mechanics/electronics

Supply voltage:	10 V DC ... 30 V DC
Vacuum resistance:	10-8Torr ¹⁾
Residual ripple:	≤ 20 % ²⁾
Voltage drop:	≤ 2 V ³⁾
Power consumption:	≤ 10 mA ⁴⁾
Time delay before availability:	≤ 50 ms
Hysteresis:	1 % ... 15 % ⁵⁾
Repeatability::	≤ 7 % ^{6) 7)}
Temperature drift (of Sr)::	± 10 %, ± 15 % ^{8) 9)}
EMC:	According to EN 60947-5-2
Output current Ia:	≤ 200 mA
Short-circuit protection:	✓
Reverse polarity protection:	✓
Power-up pulse protection:	-
Shock and vibration resistance:	30 g, 11 ms/10 ... 55 Hz, 1 mm
Ambient temperature operation:	-25 °C ... +100 °C
Housing material:	Stainless steel, V2A
Housing cap material:	Ceramics, ZrO2
Size support ring:	10 mm x 5.9 mm x 1 mm
Size sealing ring:	5.3 mm x 2.4 mm
Material sealing ring:	FPM
Housing length:	69 mm
Thread length:	38 mm
Tightening torque, max.:	≤ 40 Nm

¹⁾ Front ²⁾ Of V_S ³⁾ With Ia = 200 mA ⁴⁾ Without load ⁵⁾ Typ. 8% ^{6) 7)} ⁸⁾ -25 °C...+70 °C ⁹⁾ +70 °C...+100 °C

Reduction factors

Note:	The values are reference values which may vary
Carbon steel St37 (Fe):	1
Stainless steel (V2A, 304):	Ca. 0.75
Copper (Cu):	Ca. 0.12
Aluminum (Al):	Ca. 0.2
Brass (Br):	Ca. 0.34

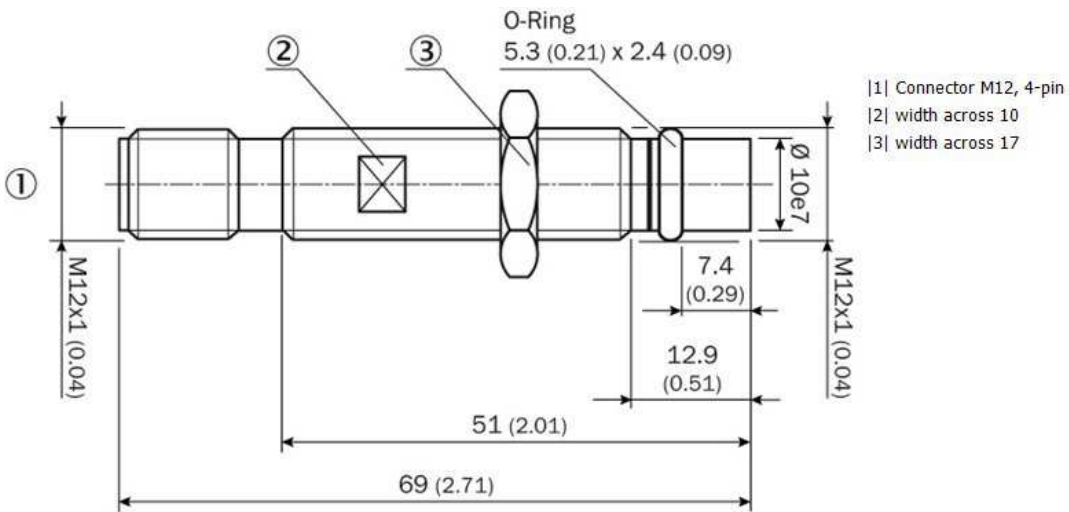
Installation note

Remark: Associated graphic see "Installation"

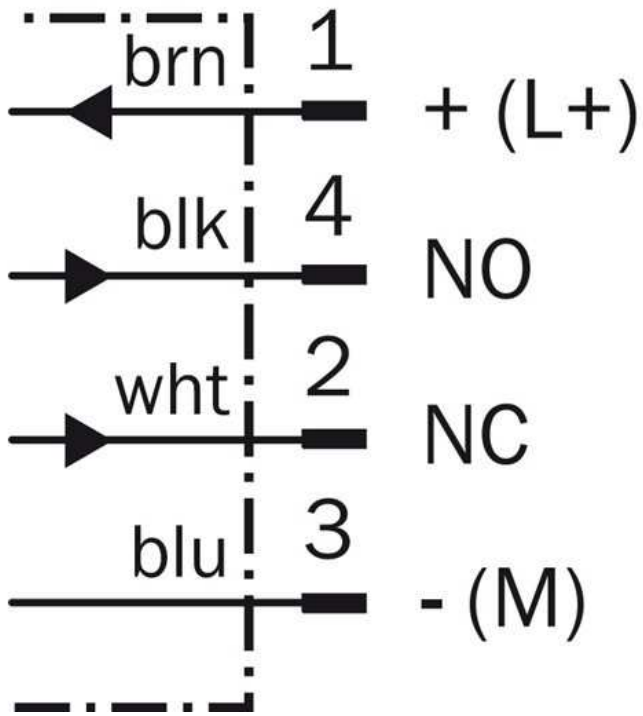
Installation note



Dimensional drawing



Connection diagram



Australia

Phone +61 3 9457 0600
1800 33 48 02 – tollfree
E-Mail sales@sick.com.au

Belgium/Luxembourg

Phone +32 (0)2 466 55 66
E-Mail info@sick.be

Brasil

Phone +55 11 3215-4900
E-Mail marketing@sick.com.br

Canada

Phone +1 905 771 14 44
E-Mail information@sick.com

Česká republika

Phone +420 2 57 91 18 50
E-Mail sick@sick.cz

China

Phone +86 4000 121 000
E-Mail info.china@sick.net.cn
Phone +852-2153 6300
E-Mail ghk@sick.com.hk

Danmark

Phone +45 45 82 64 00
E-Mail sick@sick.dk

Deutschland

Phone +49 211 5301-301
E-Mail info@sick.de

España

Phone +34 93 480 31 00
E-Mail info@sick.es

France

Phone +33 1 64 62 35 00
E-Mail info@sick.fr

Great Britain

Phone +44 (0)1727 831121
E-Mail info@sick.co.uk

India

Phone +91-22-4033 8333
E-Mail info@sick-india.com

Israel

Phone +972-4-6881000
E-Mail info@sick-sensors.com

Italia

Phone +39 02 27 43 41
E-Mail info@sick.it

Japan

Phone +81 (0)3 5309 2112
E-Mail support@sick.jp

Magyarország

Phone +36 1 371 2680
E-Mail office@sick.hu

Nederland

Phone +31 (0)30 229 25 44
E-Mail info@sick.nl

Norge

Phone +47 67 81 50 00
E-Mail sick@sick.no

Österreich

Phone +43 (0)22 36 62 28 8-0
E-Mail office@sick.at

Polska

Phone +48 22 837 40 50
E-Mail info@sick.pl

România

Phone +40 356 171 120
E-Mail office@sick.ro

Russia

Phone +7-495-775-05-30
E-Mail info@sick.ru

Schweiz

Phone +41 41 619 29 39
E-Mail contact@sick.ch

Singapore

Phone +65 6744 3732
E-Mail sales.gsg@sick.com

Slovenija

Phone +386 (0)1-47 69 990
E-Mail office@sick.si

South Africa

Phone +27 11 472 3733
E-Mail info@sickautomation.co.za

South Korea

Phone +82 2 786 6321/4
E-Mail info@sickkorea.net

Suomi

Phone +358-9-25 15 800
E-Mail sick@sick.fi

Sverige

Phone +46 10 110 10 00
E-Mail info@sick.se

Taiwan

Phone +886 2 2375-6288
E-Mail sales@sick.com.tw

Türkiye

Phone +90 (216) 528 50 00
E-Mail info@sick.com.tr

United Arab Emirates

Phone +971 (0) 4 88 65 878
E-Mail info@sick.ae

USA/México

Phone +1(952) 941-6780
1 (800) 325-7425 – tollfree
E-Mail info@sickusa.com

More representatives and agencies
at www.sick.com