



Inductive proximity sensors  
Cylindrical threaded housing, IMP14

IMP14-03BPOVC0S



**Model Name** > [IMP14-03BPOVC0S](#)  
**Part No.** > [6050138](#)



**At a glance**

- Pressure resistant up to 500 bar
- Expected service life of up to 1 million pressure cycles
- Sensing range of 3 mm flush
- IP 68
- Stainless steel housing with active surface made from stable high-performance ceramic
- State-of-the-art ASIC technology from SICK
- Gas-tight at the sensor face

**Your benefits**

- Reduced maintenance costs
- Extremely resilient and durable
- Up to 50 times longer service life compared to conventional sensors under pressure cycles
- Simple compensation of cylinder tolerances
- Simple integration due to small design
- Controlled piston deceleration
- Increased piston service life due to collision prevention at the end of the work cycle

**Features**

Design:	Cylindrical
Thread size:	M14 x 1.5
Sensing range Sn:	3 mm
Assured sensing range Sa:	2.4 mm
Pressure resistance:	≤ 500 bar
Installation type:	Flush
Switching frequency:	500 Hz
Output type:	PNP
Output function:	NC
Electrical wiring:	DC 3-wire
Enclosure rating:	IP 68 <sup>1)</sup>
Electrical connection:	Connector M12, 4-pin

<sup>1)</sup> Sensing face

**Mechanics/electronics**

Supply voltage:	10 V DC ... 30 V DC
Vacuum resistance:	10-8Torr <sup>1)</sup>
Residual ripple:	≤ 20 % <sup>2)</sup>
Voltage drop:	≤ 2 V <sup>3)</sup>
Power consumption:	≤ 10 mA <sup>4)</sup>
Time delay before availability:	≤ 50 ms
Hysteresis:	1 % ... 15 % <sup>5)</sup>
Repeatability:	≤ 4 % <sup>6) 7)</sup>
Temperature drift (of Sr):	15 %
EMC:	According to EN 60947-5-2 <sup>8)</sup>
Output current I <sub>a</sub> :	≤ 200 mA
Short-circuit protection:	✓
Reverse polarity protection:	✓
Power-up pulse protection:	-
Shock and vibration resistance:	30 g, 11 ms/10 ... 55 Hz, 1 mm
Ambient temperature operation:	-25 °C ... +80 °C
Housing material:	Stainless steel, V4A
Housing cap material:	Ceramics, ZrO <sub>2</sub>
Size sealing ring:	11.5 mm x 2.0 mm
Material sealing ring:	NBR
Housing length:	65 mm
Thread length:	11 mm
Tightening torque, max.:	≤ 70 Nm

1) Front 2) Of V<sub>S</sub> 3) With I<sub>a</sub> = 200 mA 4) Without load 5) Typ. 8% 6) 7) 8) IEC61000-4-4: 1kV

### Reduction factors

---

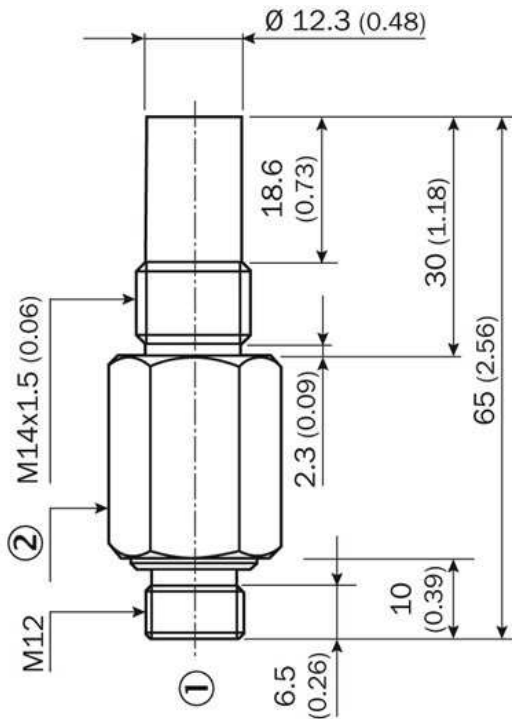
Note:	The values are reference values which may vary
Carbon steel St37 (Fe):	1
Stainless steel (V2A, 304):	Ca. 0.85
Copper (Cu):	Ca. 0
Aluminum (Al):	Ca. 0
Brass (Br):	Ca. 0.15

### Installation note

---

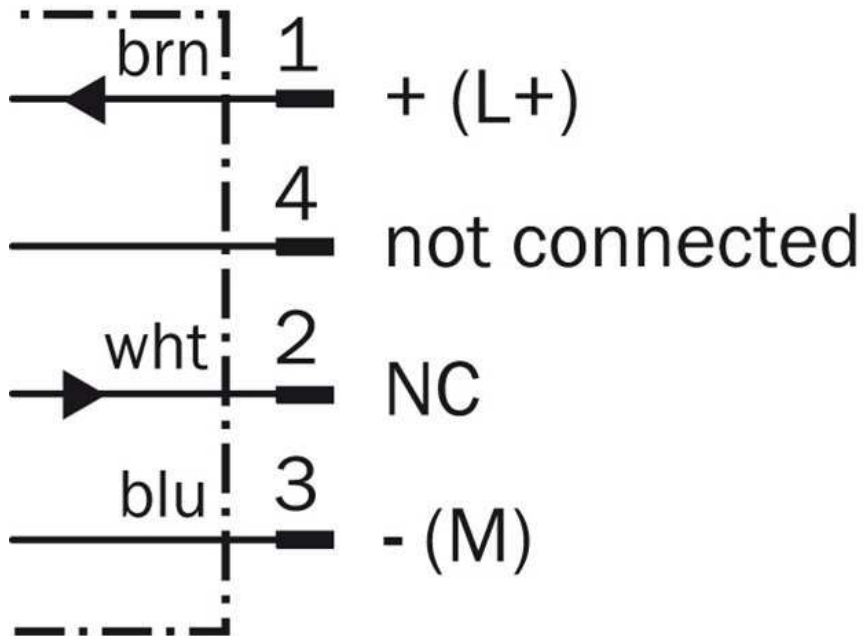
Remark: Associated graphic see "Installation"

Dimensional drawing



- |1| Connector M12, 4-pin
- |2| width across 19

Connection diagram



**Australia**

Phone +61 3 9457 0600  
1800 33 48 02 – tollfree  
E-Mail sales@sick.com.au

**Belgium/Luxembourg**

Phone +32 (0)2 466 55 66  
E-Mail info@sick.be

**Brasil**

Phone +55 11 3215-4900  
E-Mail marketing@sick.com.br

**Canada**

Phone +1 905 771 14 44  
E-Mail information@sick.com

**Česká republika**

Phone +420 2 57 91 18 50  
E-Mail sick@sick.cz

**China**

Phone +86 4000 121 000  
E-Mail info.china@sick.net.cn  
Phone +852-2153 6300  
E-Mail ghk@sick.com.hk

**Danmark**

Phone +45 45 82 64 00  
E-Mail sick@sick.dk

**Deutschland**

Phone +49 211 5301-301  
E-Mail info@sick.de

**España**

Phone +34 93 480 31 00  
E-Mail info@sick.es

**France**

Phone +33 1 64 62 35 00  
E-Mail info@sick.fr

**Great Britain**

Phone +44 (0)1727 831121  
E-Mail info@sick.co.uk

**India**

Phone +91-22-4033 8333  
E-Mail info@sick-india.com

**Israel**

Phone +972-4-6881000  
E-Mail info@sick-sensors.com

**Italia**

Phone +39 02 27 43 41  
E-Mail info@sick.it

**Japan**

Phone +81 (0)3 5309 2112  
E-Mail support@sick.jp

**Magyarország**

Phone +36 1 371 2680  
E-Mail office@sick.hu

**Nederland**

Phone +31 (0)30 229 25 44  
E-Mail info@sick.nl

**Norge**

Phone +47 67 81 50 00  
E-Mail sick@sick.no

**Österreich**

Phone +43 (0)22 36 62 28 8-0  
E-Mail office@sick.at

**Polska**

Phone +48 22 837 40 50  
E-Mail info@sick.pl

**România**

Phone +40 356 171 120  
E-Mail office@sick.ro

**Russia**

Phone +7-495-775-05-30  
E-Mail info@sick.ru

**Schweiz**

Phone +41 41 619 29 39  
E-Mail contact@sick.ch

**Singapore**

Phone +65 6744 3732  
E-Mail sales.gsg@sick.com

**Slovenija**

Phone +386 (0)1-47 69 990  
E-Mail office@sick.si

**South Africa**

Phone +27 11 472 3733  
E-Mail info@sickautomation.co.za

**South Korea**

Phone +82 2 786 6321/4  
E-Mail info@sickkorea.net

**Suomi**

Phone +358-9-25 15 800  
E-Mail sick@sick.fi

**Sverige**

Phone +46 10 110 10 00  
E-Mail info@sick.se

**Taiwan**

Phone +886 2 2375-6288  
E-Mail sales@sick.com.tw

**Türkiye**

Phone +90 (216) 528 50 00  
E-Mail info@sick.com.tr

**United Arab Emirates**

Phone +971 (0) 4 88 65 878  
E-Mail info@sick.ae

**USA/México**

Phone +1(952) 941-6780  
1 (800) 325-7425 – tollfree  
E-Mail info@sickusa.com

More representatives and agencies  
at [www.sick.com](http://www.sick.com)