



Capacitive Proximity Sensors Rectangular housing, CQ4

CQ4-08ENSKU1



Model Name > CQ4-08ENSKU1
Part No. > 6051011



At a glance

- High switching frequency of 100 Hz
- Quick and easy sensitivity adjustment via potentiometer
- Visual alarm in event of short-circuit
- Reinforced glass-fiber housing
- Operating temperatures up to +75 °C
- Sensor can be installed flush in all materials
- Recess on rear for mounting a cable tie
- Flush installation in all materials possible
- Sensing range of up to 8 mm

Your benefits

- Reliable detection of objects thanks to high switching frequency, even in accelerated production processes
- Simple and fast sensitivity control for adaptation to prevailing conditions
- High reliability thanks to rugged, glass-fiber reinforced housing, proven in hard industrial use
- Minimal installation space requirements thanks to compact design for use in restricted spaces
- Short installation time and no holes in the container or tank walls thanks to non-contact measurement



Features

Design:	Rectangular
Dimensions (W x H x D):	16 mm x 39.5 mm x 12 mm
Sensing range S _n :	8 mm ¹⁾
Assured sensing range S _a :	5.76 mm
Installation type:	Non-flush/flush
Switching frequency:	100 Hz
Output type:	NPN
Output function:	NO
Electrical wiring:	DC 3-wire
Enclosure rating:	IP 67 ²⁾
Electrical connection:	Cable, 3-wire, 2 m ³⁾
Adjustment:	Potentiometer, 5 turns , Sensitivity

¹⁾ For flush mounting S_n appr. 6 mm (S_a appr. 4.32 mm) [object grounded]. ²⁾ According to EN 60529 ³⁾ Do not bend below 0 °C

Mechanics/electronics

Housing material:	Plastic
Supply voltage:	10 V DC ... 30 V DC
Residual ripple:	≤ 10 %
Voltage drop:	≤ 2.5 V DC ¹⁾
Power consumption:	≤ 12 mA ²⁾
Time delay before availability:	≤ 200 ms
Hysteresis:	4 % ... 20 % ³⁾
Repeatability:.	≤ 5 % ^{4) 5)}
Temperature drift (of Sr):	± 20 %
EMC:	According to EN 60947-5-2
Output current I _a :	≤ 150 mA
Cable material:	PVC
Short-circuit protection:	✓
Reverse polarity protection:	✓
Power-up pulse protection:	✓
Shock and vibration resistance:	30 g, 11 ms/10 ... 55 Hz, 1 mm
Ambient temperature operation:	-20 °C ... +75 °C
Ambient storage temperature:	-40 °C ... +85 °C
Housing cap material:	ABS
Sensing face material:	Plastic
UL File No.:	NRKH.E191603

¹⁾ At I_a max ²⁾ Without load ³⁾ Depending on installation and environmental conditions and sensitivity adjustment, hysteresis may vary ⁴⁾ Of Sr ⁵⁾ Ub and Ta constant

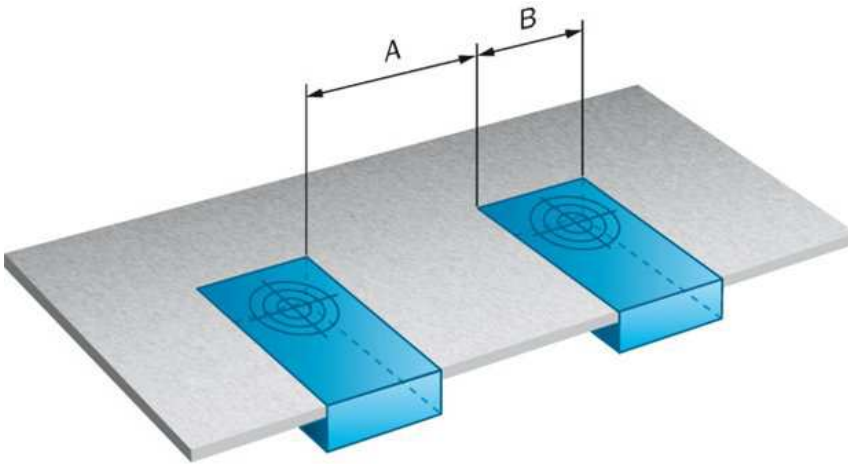
Reduction factors

Note:	The values are reference values which may vary
Metal:	1
Water:	1
PVC:	Ca. 0.4
Oil:	Ca. 0.25

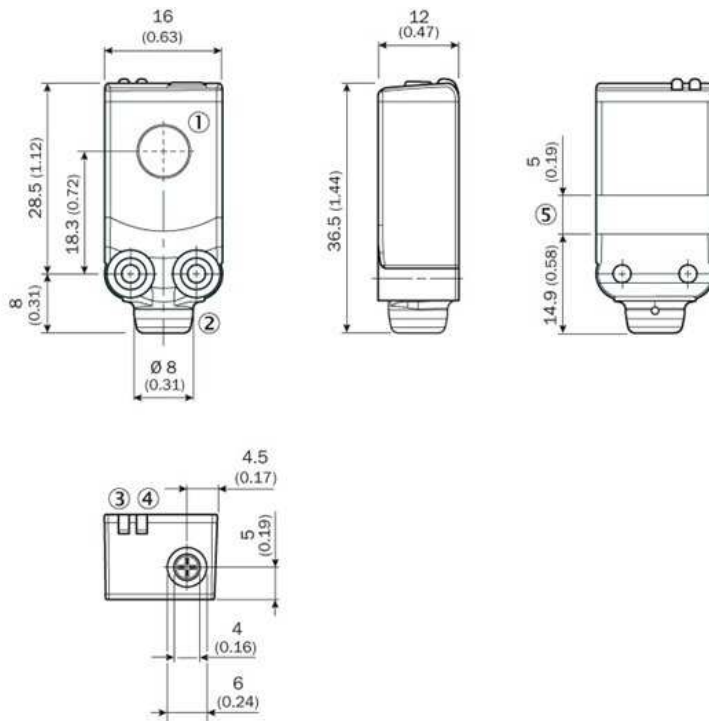
Installation note

Remark: Associated graphic see "Installation"

Installation note

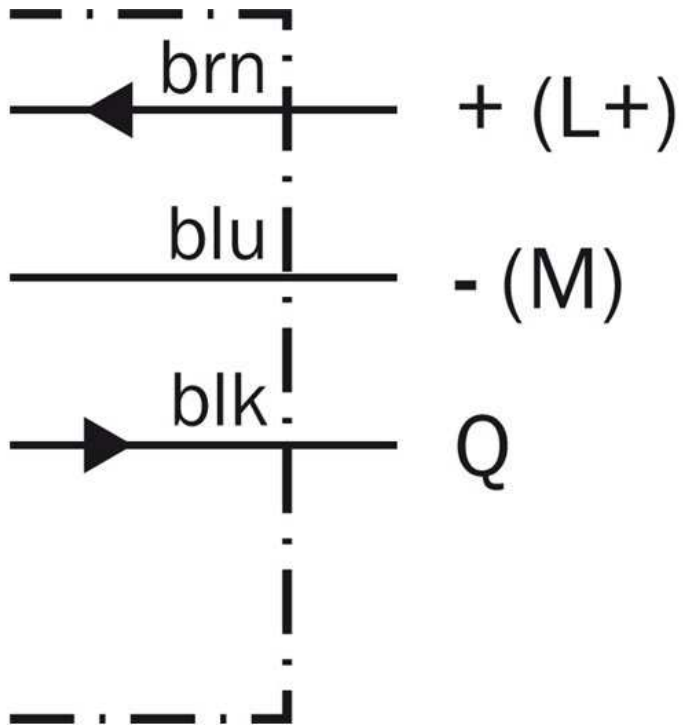


Dimensional drawing



- |1| Sensing face
- |2| cable
- |3| Yellow LED: status detection of object/medium
- |4| LED monitoring area
- |5| line for cable tie

Connection diagram



Australia

Phone +61 3 9457 0600
1800 33 48 02 – tollfree
E-Mail sales@sick.com.au

Belgium/Luxembourg

Phone +32 (0)2 466 55 66
E-Mail info@sick.be

Brasil

Phone +55 11 3215-4900
E-Mail marketing@sick.com.br

Canada

Phone +1 905 771 14 44
E-Mail information@sick.com

Česká republika

Phone +420 2 57 91 18 50
E-Mail sick@sick.cz

China

Phone +86 4000 121 000
E-Mail info.china@sick.net.cn
Phone +852-2153 6300
E-Mail ghk@sick.com.hk

Danmark

Phone +45 45 82 64 00
E-Mail sick@sick.dk

Deutschland

Phone +49 211 5301-301
E-Mail info@sick.de

España

Phone +34 93 480 31 00
E-Mail info@sick.es

France

Phone +33 1 64 62 35 00
E-Mail info@sick.fr

Great Britain

Phone +44 (0)1727 831121
E-Mail info@sick.co.uk

India

Phone +91-22-4033 8333
E-Mail info@sick-india.com

Israel

Phone +972-4-6881000
E-Mail info@sick-sensors.com

Italia

Phone +39 02 27 43 41
E-Mail info@sick.it

Japan

Phone +81 (0)3 5309 2112
E-Mail support@sick.jp

Magyarország

Phone +36 1 371 2680
E-Mail office@sick.hu

Nederland

Phone +31 (0)30 229 25 44
E-Mail info@sick.nl

Norge

Phone +47 67 81 50 00
E-Mail sick@sick.no

Österreich

Phone +43 (0)22 36 62 28 8-0
E-Mail office@sick.at

Polska

Phone +48 22 837 40 50
E-Mail info@sick.pl

România

Phone +40 356 171 120
E-Mail office@sick.ro

Russia

Phone +7-495-775-05-30
E-Mail info@sick.ru

Schweiz

Phone +41 41 619 29 39
E-Mail contact@sick.ch

Singapore

Phone +65 6744 3732
E-Mail sales.gsg@sick.com

Slovenija

Phone +386 (0)1-47 69 990
E-Mail office@sick.si

South Africa

Phone +27 11 472 3733
E-Mail info@sickautomation.co.za

South Korea

Phone +82 2 786 6321/4
E-Mail info@sickkorea.net

Suomi

Phone +358-9-25 15 800
E-Mail sick@sick.fi

Sverige

Phone +46 10 110 10 00
E-Mail info@sick.se

Taiwan

Phone +886 2 2375-6288
E-Mail sales@sick.com.tw

Türkiye

Phone +90 (216) 528 50 00
E-Mail info@sick.com.tr

United Arab Emirates

Phone +971 (0) 4 88 65 878
E-Mail info@sick.ae

USA/México

Phone +1(952) 941-6780
1 (800) 325-7425 – tollfree
E-Mail info@sickusa.com

More representatives and agencies
at www.sick.com