



safety command devices  
Emergency stop pushbuttons, ES11, Complete device

ES11-SA1A4



**Model Name** > [ES11-SA1A4](#)  
**Part No.** > [6051327](#)

**At a glance**

- Slim plastic housing with quick disconnect mounting clip
- Available as an emergency stop pushbutton or as a combined emergency stop/reset unit
- Emergency stop pushbutton with optional LED illumination
- Illuminated reset pushbutton
- Flexi Loop-compatible M12 plug connector

**Your benefits**

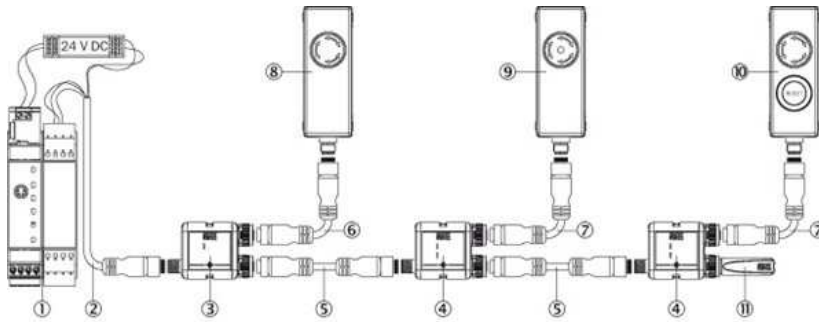
- Easy installation with quick disconnect mounting clip
- Quick commissioning and easy replacement with an M12 plug connector
- User-friendly status indication
- Flexi Loop now enables a safe series connection with enhanced diagnostics capabilities and minimal wiring effort.



**Technical data**

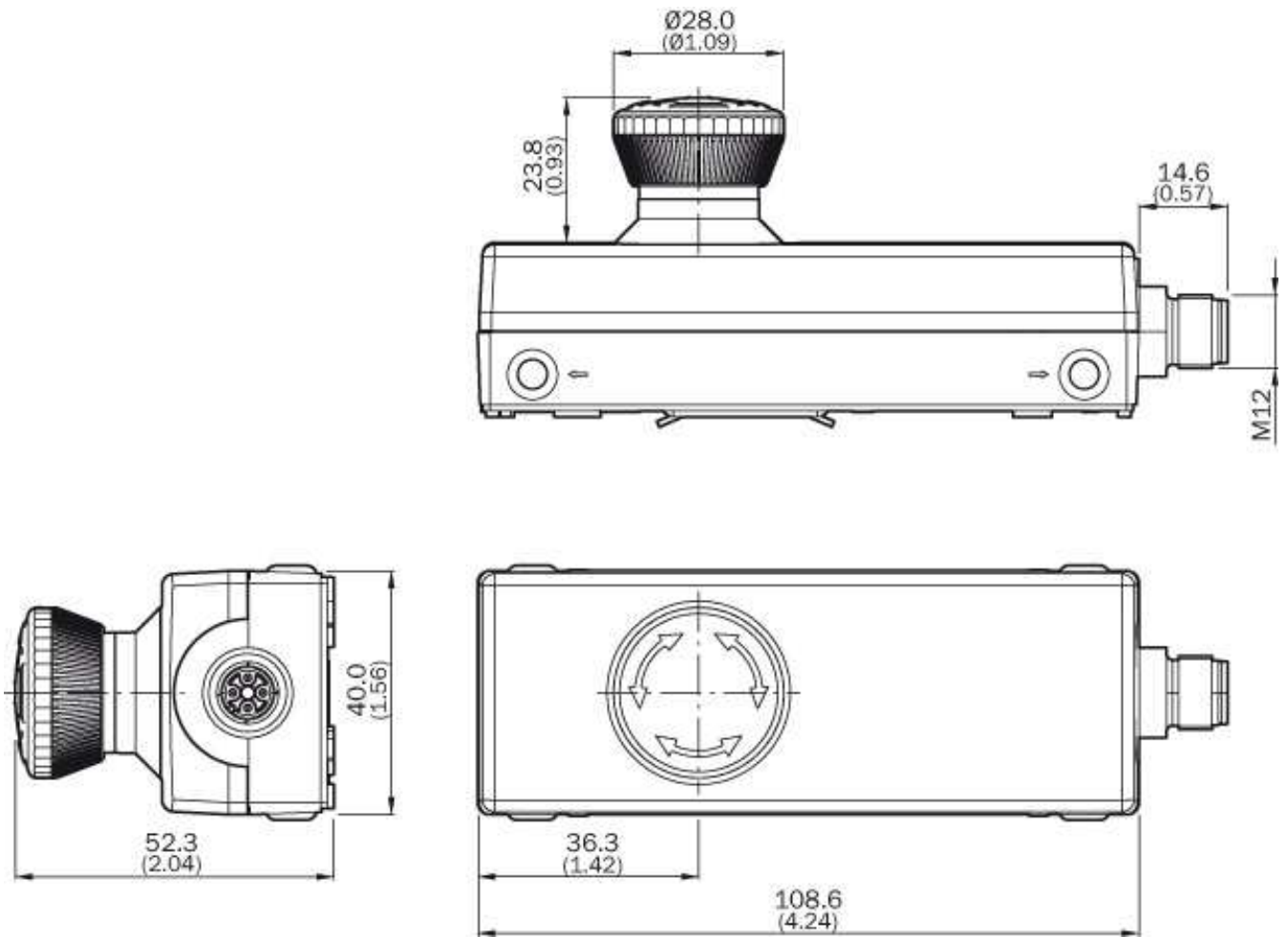
Type of command unit:	Emergency stop pushbutton
Housing material:	PBT
Enclosure rating:	IP 65 (EN 60529)
Protection class:	III (EN 50178)
Ambient operating temperature:	-25 °C ... +70 °C
B10d parameter:	2.5*1E 05 switching cycles
Switching principle:	Slow action switching element
Number of positive action N/C contacts:	2
Number of N/O contacts:	0
Electrical life (emergency stop button):	5*1E 04 switching cycles
Usage category:	DC-13 (EN 60947-5-1)
Rated operating current (voltage):	2 A (24 V DC)
Emergency stop button (illuminable):	-
Contact material:	AgNi
Mechanical life (emergency stop button):	5*1E 04 switching cycles
Electrical connection:	Plug connector, M12, 4-pin
Flexi Loop-compatible plug connector:	✓
Weight:	112 g

## Series connection with Flexi Loop (without diagnosis)

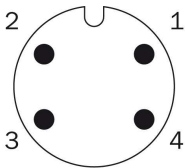


- [1] Flexi Soft safety controller
- [2] Connecting cable with female connector M12, 5-pin and open conductor heads (e.g., DOL-1205-xxxx)
- [3] FLN-EMSS000105 Flexi Loop node
- [4] FLN-EMSS1100108 Flexi Loop node
- [5] Connection cable with female connector M12, 5-pin and male connector M12, 5-pin (e.g., DSL-1205-xxxx)
- [6] connection cable with female connector M12, 4-pin and male connector M12, 4-pin (e.g., DSL-1204-xxxx)
- [7] Connection cable with female connector M12, 8-pin and male connector M12, 8-pin (e.g., DSL-1208-xxxxxx)
- [8] ES11-SA1A4 emergency stop pushbutton
- [9] ES11-SA2B8 emergency stop pushbutton
- [10] ES11-SC4D8 emergency stop pushbutton
- [11] FLT-TERM00001 Flexi Loop termination element

**Dimensional drawing**



**Connection diagram**



1	N/C contact
2	
3	N/C contact
4	

**Australia**

Phone +61 3 9457 0600  
1800 33 48 02 – tollfree  
E-Mail sales@sick.com.au

**Belgium/Luxembourg**

Phone +32 (0)2 466 55 66  
E-Mail info@sick.be

**Brasil**

Phone +55 11 3215-4900  
E-Mail marketing@sick.com.br

**Canada**

Phone +1 905 771 14 44  
E-Mail information@sick.com

**Česká republika**

Phone +420 2 57 91 18 50  
E-Mail sick@sick.cz

**China**

Phone +86 4000 121 000  
E-Mail info.china@sick.net.cn  
Phone +852-2153 6300  
E-Mail ghk@sick.com.hk

**Danmark**

Phone +45 45 82 64 00  
E-Mail sick@sick.dk

**Deutschland**

Phone +49 211 5301-301  
E-Mail info@sick.de

**España**

Phone +34 93 480 31 00  
E-Mail info@sick.es

**France**

Phone +33 1 64 62 35 00  
E-Mail info@sick.fr

**Great Britain**

Phone +44 (0)1727 831121  
E-Mail info@sick.co.uk

**India**

Phone +91-22-4033 8333  
E-Mail info@sick-india.com

**Israel**

Phone +972-4-6881000  
E-Mail info@sick-sensors.com

**Italia**

Phone +39 02 27 43 41  
E-Mail info@sick.it

**Japan**

Phone +81 (0)3 5309 2112  
E-Mail support@sick.jp

**Magyarország**

Phone +36 1 371 2680  
E-Mail office@sick.hu

**Nederland**

Phone +31 (0)30 229 25 44  
E-Mail info@sick.nl

**Norge**

Phone +47 67 81 50 00  
E-Mail sick@sick.no

**Österreich**

Phone +43 (0)22 36 62 28 8-0  
E-Mail office@sick.at

**Polska**

Phone +48 22 837 40 50  
E-Mail info@sick.pl

**România**

Phone +40 356 171 120  
E-Mail office@sick.ro

**Russia**

Phone +7-495-775-05-30  
E-Mail info@sick.ru

**Schweiz**

Phone +41 41 619 29 39  
E-Mail contact@sick.ch

**Singapore**

Phone +65 6744 3732  
E-Mail sales.gsg@sick.com

**Slovenija**

Phone +386 (0)1-47 69 990  
E-Mail office@sick.si

**South Africa**

Phone +27 11 472 3733  
E-Mail info@sickautomation.co.za

**South Korea**

Phone +82 2 786 6321/4  
E-Mail info@sickkorea.net

**Suomi**

Phone +358-9-25 15 800  
E-Mail sick@sick.fi

**Sverige**

Phone +46 10 110 10 00  
E-Mail info@sick.se

**Taiwan**

Phone +886 2 2375-6288  
E-Mail sales@sick.com.tw

**Türkiye**

Phone +90 (216) 528 50 00  
E-Mail info@sick.com.tr

**United Arab Emirates**

Phone +971 (0) 4 88 65 878  
E-Mail info@sick.ae

**USA/México**

Phone +1(952) 941-6780  
1 (800) 325-7425 – tollfree  
E-Mail info@sickusa.com

More representatives and agencies  
at [www.sick.com](http://www.sick.com)