



safety command devices
Emergency stop pushbuttons, ES11, Complete
device

ES11-SA2B8



Model Name > [ES11-SA2B8](#)
Part No. > [6051328](#)

At a glance

- Slim plastic housing with quick disconnect mounting clip
- Available as an emergency stop pushbutton or as a combined emergency stop/reset unit
- Emergency stop pushbutton with optional LED illumination
- Illuminated reset pushbutton
- Flexi Loop-compatible M12 plug connector

Your benefits

- Easy installation with quick disconnect mounting clip
- Quick commissioning and easy replacement with an M12 plug connector
- User-friendly status indication
- Flexi Loop now enables a safe series connection with enhanced diagnostics capabilities and minimal wiring effort.



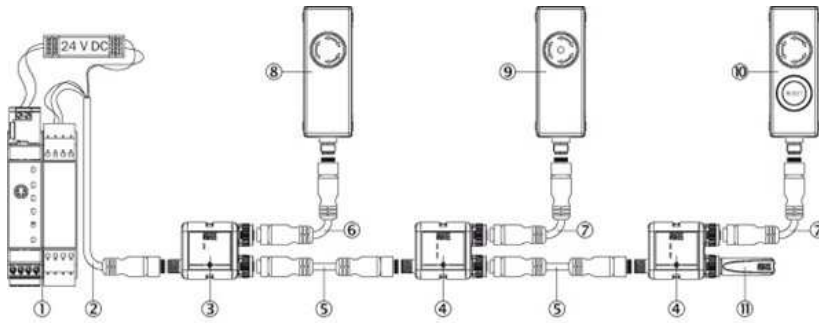
Technical data

Type of command unit:	Emergency stop pushbutton
Housing material:	PBT
Enclosure rating:	IP 65 (EN 60529)
Protection class:	III (EN 50178)
Ambient operating temperature:	-25 °C ... +70 °C
B10d parameter:	2.5*1E 05 switching cycles
Switching principle:	Slow action switching element
Number of positive action N/C contacts:	2
Number of N/O contacts:	0
Electrical life (emergency stop button):	5*1E 04 switching cycles
Switching voltage:	1 V DC ... 30 V DC
Operating current:	1 mA ... 100 mA
Switching power:	250 mW
Emergency stop button (illuminable):	✓
Supply voltage (illumination):	30 V AC/DC
Operating current (illumination):	4 mA (24 V DC)
Contact material:	AgNi, 5 µm gold plated
Mechanical life (emergency stop button):	5*1E 04 switching cycles
Electrical connection:	Plug connector, M12, 8-pin
Flexi Loop-compatible plug connector:	✓

Weight:

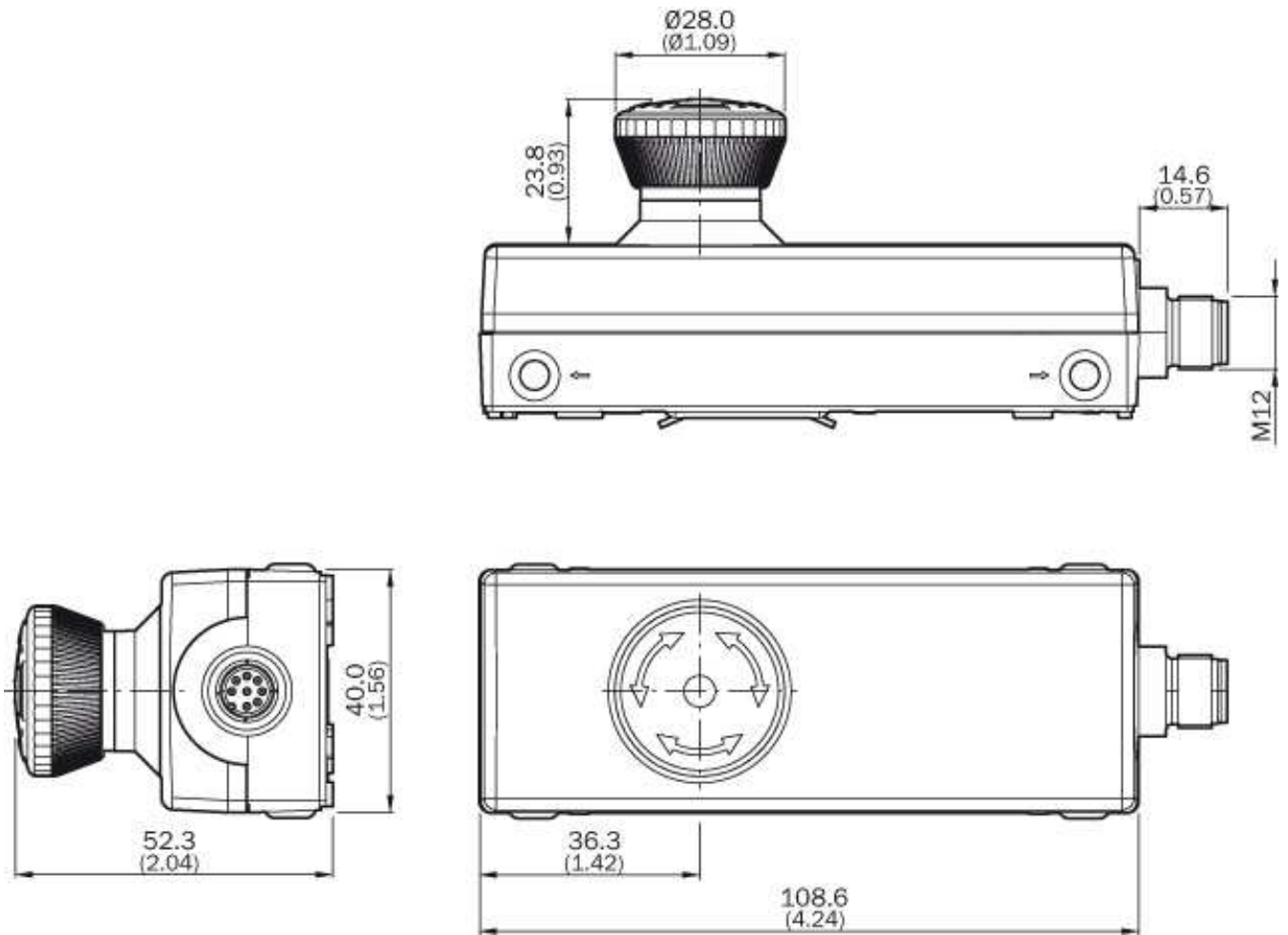
115 g

Series connection with Flexi Loop (without diagnosis)

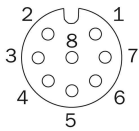


- |1| Flexi Soft safety controller
- |2| Connecting cable with female connector M12, 5-pin and open conductor heads (e.g., DOL-1205-xxxx)
- |3| FLN-EMSS0000105 Flexi Loop node
- |4| FLN-EMSS1100108 Flexi Loop node
- |5| Connection cable with female connector M12, 5-pin and male connector M12, 5-pin (e.g., DSL-1205-xxxx)
- |6| connection cable with female connector M12, 4-pin and male connector M12, 4-pin (e.g., DSL-1204-xxxx)
- |7| Connection cable with female connector M12, 8-pin and male connector M12, 8-pin (e.g., DSL-1208-xxxxxx)
- |8| ES11-SA1A4 emergency stop pushbutton
- |9| ES11-SA2B8 emergency stop pushbutton
- |10| ES11-SC4D8 emergency stop pushbutton
- |11| FLT-TERM00001 Flexi Loop termination element

Dimensional drawing



Connection diagram



3	
4	N/C contact
7	
8	N/C contact
5	LED + (E-Stop)
6	LED - (E-Stop)
1	
2	not connected

Australia

Phone +61 3 9457 0600
1800 33 48 02 – tollfree
E-Mail sales@sick.com.au

Belgium/Luxembourg

Phone +32 (0)2 466 55 66
E-Mail info@sick.be

Brasil

Phone +55 11 3215-4900
E-Mail marketing@sick.com.br

Canada

Phone +1 905 771 14 44
E-Mail information@sick.com

Česká republika

Phone +420 2 57 91 18 50
E-Mail sick@sick.cz

China

Phone +86 4000 121 000
E-Mail info.china@sick.net.cn
Phone +852-2153 6300
E-Mail ghk@sick.com.hk

Danmark

Phone +45 45 82 64 00
E-Mail sick@sick.dk

Deutschland

Phone +49 211 5301-301
E-Mail info@sick.de

España

Phone +34 93 480 31 00
E-Mail info@sick.es

France

Phone +33 1 64 62 35 00
E-Mail info@sick.fr

Great Britain

Phone +44 (0)1727 831121
E-Mail info@sick.co.uk

India

Phone +91-22-4033 8333
E-Mail info@sick-india.com

Israel

Phone +972-4-6881000
E-Mail info@sick-sensors.com

Italia

Phone +39 02 27 43 41
E-Mail info@sick.it

Japan

Phone +81 (0)3 5309 2112
E-Mail support@sick.jp

Magyarország

Phone +36 1 371 2680
E-Mail office@sick.hu

Nederland

Phone +31 (0)30 229 25 44
E-Mail info@sick.nl

Norge

Phone +47 67 81 50 00
E-Mail sick@sick.no

Österreich

Phone +43 (0)22 36 62 28 8-0
E-Mail office@sick.at

Polska

Phone +48 22 837 40 50
E-Mail info@sick.pl

România

Phone +40 356 171 120
E-Mail office@sick.ro

Russia

Phone +7-495-775-05-30
E-Mail info@sick.ru

Schweiz

Phone +41 41 619 29 39
E-Mail contact@sick.ch

Singapore

Phone +65 6744 3732
E-Mail sales.gsg@sick.com

Slovenija

Phone +386 (0)1-47 69 990
E-Mail office@sick.si

South Africa

Phone +27 11 472 3733
E-Mail info@sickautomation.co.za

South Korea

Phone +82 2 786 6321/4
E-Mail info@sickkorea.net

Suomi

Phone +358-9-25 15 800
E-Mail sick@sick.fi

Sverige

Phone +46 10 110 10 00
E-Mail info@sick.se

Taiwan

Phone +886 2 2375-6288
E-Mail sales@sick.com.tw

Türkiye

Phone +90 (216) 528 50 00
E-Mail info@sick.com.tr

United Arab Emirates

Phone +971 (0) 4 88 65 878
E-Mail info@sick.ae

USA/México

Phone +1(952) 941-6780
1 (800) 325-7425 – tollfree
E-Mail info@sickusa.com

More representatives and agencies
at www.sick.com