



Plug connectors and cables
Plug connectors and cables / connection cables
with female connector and male connector

DSL-1204-B02MNI



Plug connectors and cables
Plug connectors and cables / connection cables with female connector and male connector

Model Name > [DSL-1204-B02MNI](#)
Part No. > [6052633](#)

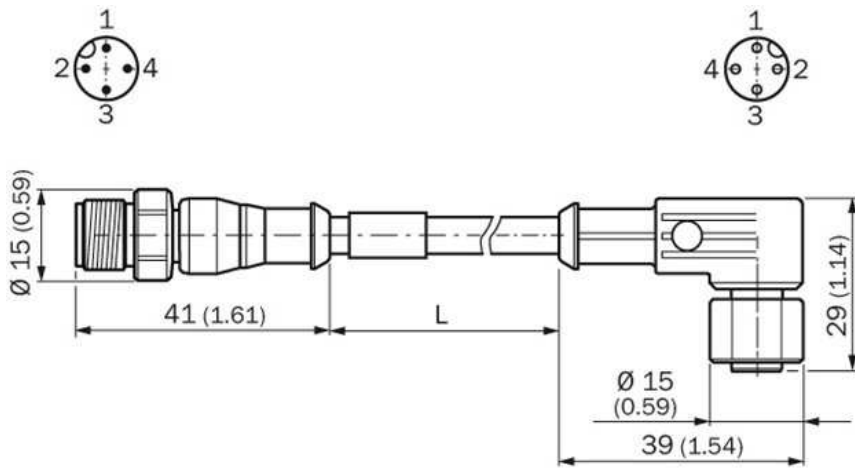


Technical data

Accessory group:	Plug connectors and cables
Accessory family:	Connection cables with female connector and male connector
Application:	Hygienic systems
Connection type head A:	Female connector, M12, 4-pin, angled
Connection type head B:	Male connector, M12, 4-pin, straight
Locking nut material:	Stainless steel (V4A/1.4404)
Cable diameter:	5 mm
Conductor cross-section:	0.34 mm ²
Shielding:	Unshielded
Bending radius:	> 10 x cable diameter (flexible use) > 5 x cable diameter (stationary position)
Tightening torque:	0.6 Nm
Status LED:	-
Reference voltage:	250 V
Current loading:	4 A
Note:	Tested detergent: P3-topactive DES, P3-topax 19, P3-topax 56, P3-topax 66 and P3-topax 99, Insulating material group: Cat I
Authorizations:	CSA approval Ecolab
Ambient operating temperature:	-25 °C ... +80 °C, male connector -30 °C ... +80 °C, cable, stationary position -5 °C ... +80 °C, cable, flexible use
Enclosure rating:	IP 65 IP 67 IP 69K ¹⁾
Connector material:	PUR
Connector color:	Gray
Cable:	2 m, 4-wire
Jacket material:	PVC
Jacket color:	Gray

¹⁾ 1 m water depth / 96 h

Dimensional drawing



Australia

Phone +61 3 9457 0600
1800 33 48 02 – tollfree
E-Mail sales@sick.com.au

Belgium/Luxembourg

Phone +32 (0)2 466 55 66
E-Mail info@sick.be

Brasil

Phone +55 11 3215-4900
E-Mail marketing@sick.com.br

Canada

Phone +1 905 771 14 44
E-Mail information@sick.com

Česká republika

Phone +420 2 57 91 18 50
E-Mail sick@sick.cz

China

Phone +86 4000 121 000
E-Mail info.china@sick.net.cn
Phone +852-2153 6300
E-Mail ghk@sick.com.hk

Danmark

Phone +45 45 82 64 00
E-Mail sick@sick.dk

Deutschland

Phone +49 211 5301-301
E-Mail info@sick.de

España

Phone +34 93 480 31 00
E-Mail info@sick.es

France

Phone +33 1 64 62 35 00
E-Mail info@sick.fr

Great Britain

Phone +44 (0)1727 831121
E-Mail info@sick.co.uk

India

Phone +91-22-4033 8333
E-Mail info@sick-india.com

Israel

Phone +972-4-6881000
E-Mail info@sick-sensors.com

Italia

Phone +39 02 27 43 41
E-Mail info@sick.it

Japan

Phone +81 (0)3 5309 2112
E-Mail support@sick.jp

Magyarország

Phone +36 1 371 2680
E-Mail office@sick.hu

Nederland

Phone +31 (0)30 229 25 44
E-Mail info@sick.nl

Norge

Phone +47 67 81 50 00
E-Mail sick@sick.no

Österreich

Phone +43 (0)22 36 62 28 8-0
E-Mail office@sick.at

Polska

Phone +48 22 837 40 50
E-Mail info@sick.pl

România

Phone +40 356 171 120
E-Mail office@sick.ro

Russia

Phone +7-495-775-05-30
E-Mail info@sick.ru

Schweiz

Phone +41 41 619 29 39
E-Mail contact@sick.ch

Singapore

Phone +65 6744 3732
E-Mail sales.gsg@sick.com

Slovenija

Phone +386 (0)1-47 69 990
E-Mail office@sick.si

South Africa

Phone +27 11 472 3733
E-Mail info@sickautomation.co.za

South Korea

Phone +82 2 786 6321/4
E-Mail info@sickkorea.net

Suomi

Phone +358-9-25 15 800
E-Mail sick@sick.fi

Sverige

Phone +46 10 110 10 00
E-Mail info@sick.se

Taiwan

Phone +886 2 2375-6288
E-Mail sales@sick.com.tw

Türkiye

Phone +90 (216) 528 50 00
E-Mail info@sick.com.tr

United Arab Emirates

Phone +971 (0) 4 88 65 878
E-Mail info@sick.ae

USA/México

Phone +1(952) 941-6780
1 (800) 325-7425 – tollfree
E-Mail info@sickusa.com

More representatives and agencies
at www.sick.com