



## Ultrasonic sensors UM12

UM12-1192211



**Model Name** > [UM12-1192211](#)  
**Part No.** > [6053546](#)



**At a glance**

- Reliable measurement, regardless of material color, transparency, gloss, or ambient light
- Very short and rugged M12 metal housing
- Variants with PNP/NPN switching output or analog output
- Immune to dirt, dust, humidity, and fog
- Detection, measurement, or positioning with ultrasound technology
- Cable teach-in

**Your benefits**

- Very compact housing dimensions for straightforward machine integration
- Proven M12 housing design ensures compatibility with other technologies
- Analog variants in compact design for complex measuring tasks
- Rugged, one-piece metal housing ensures highest machine uptimes
- Teach-in via cable prevents unintentional sensor adjustment reducing machine downtime
- The sensor's immunity to external factors enables it to take accurate measurements even in dirty, dusty, humid, and foggy conditions
- Integrated temperature compensation ensures high measurement accuracy at any time for best process quality



**Performance**

Resolution:	≥ 0.069 mm
Working range, limiting range:	40 mm ... 240 mm, 350 mm
Repeatability <sup>1)</sup> :	± 0.15 %
Accuracy <sup>2)</sup> :	± 1 %
Response time:	30 ms
Switching frequency:	25 Hz
Ultrasonic frequency (typical):	500 kHz
Temperature compensation:	✓
Additional function:	Set switching mode: Distance to object (DtO)/switching window (Wnd)/ Object Between Sensor and Background (ObSB) Teach-in of switching output Invertible switching output Temperature compensation Reset to factory default
Output time:	10 ms

1) 2) Referring to current measurement value

## Interfaces

---

Output type: PNP  
Hysteresis: 3 mm

## Mechanics/electronics

---

Sending axis: Straight  
Supply voltage  $V_s$  <sup>1)</sup>: DC 10 V ... 30 V  
Power consumption <sup>2)</sup>:  $\leq 1.2$  W  
Initialization time:  $< 300$  ms  
Design: Cylindrical  
Housing material: Nickel-plated brass  
PBT  
ultrasonic transducer: polyurethane foam, glass epoxy resin  
Electrical connection: Male connector, M12, 4-pin  
Indication: 2 x LED  
Weight: 15 g

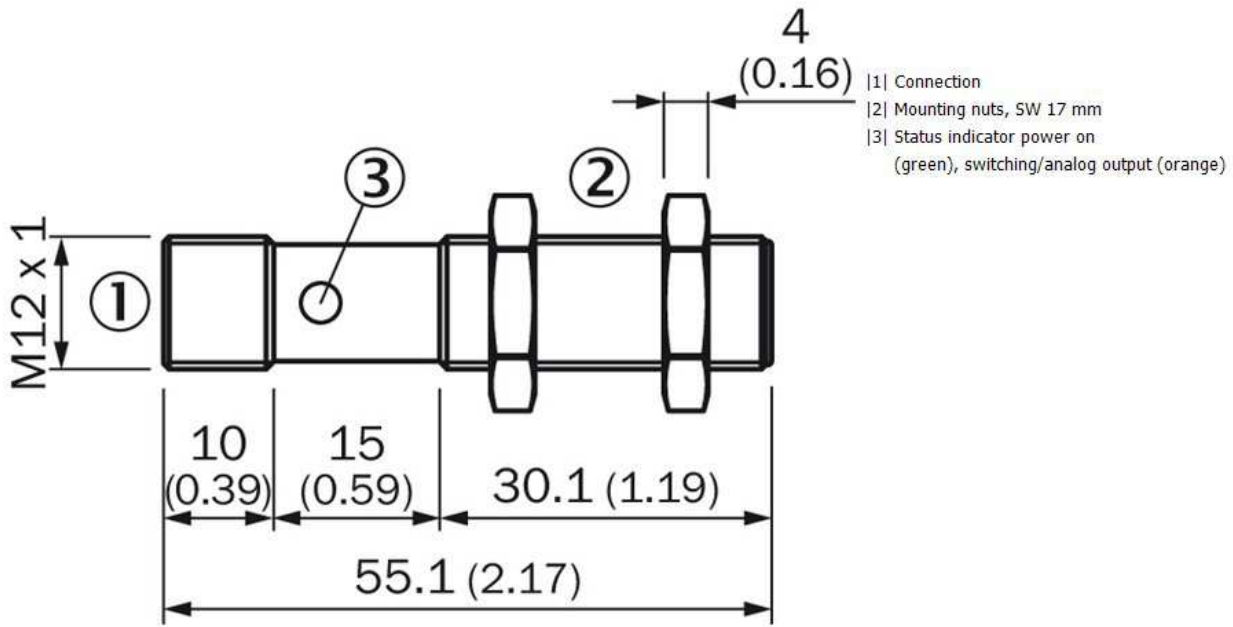
<sup>1)</sup> Limit values, reverse-polarity protected, operation in short-circuit protected network: max. 8 A <sup>2)</sup> Without load

## Ambient data

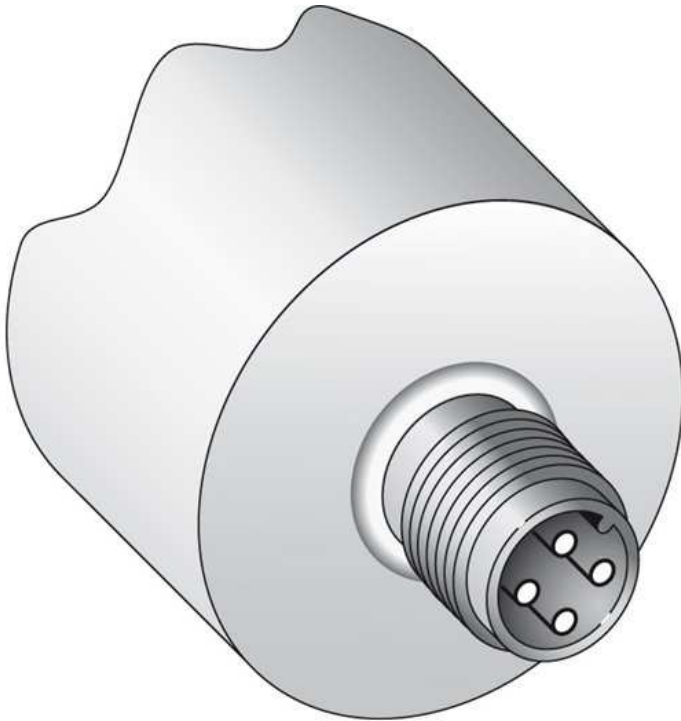
---

Enclosure rating: IP 67  
Protection class: III  
Ambient temperature: Operation:  $-25 \dots +70$  °C  
Storage:  $-40 \dots +85$  °C

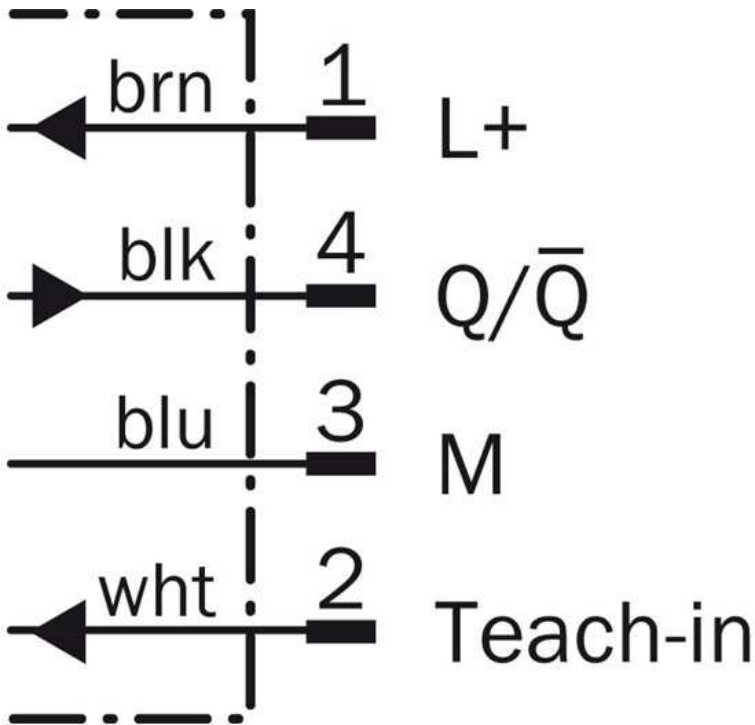
**Dimensional drawing**



**Connection type**

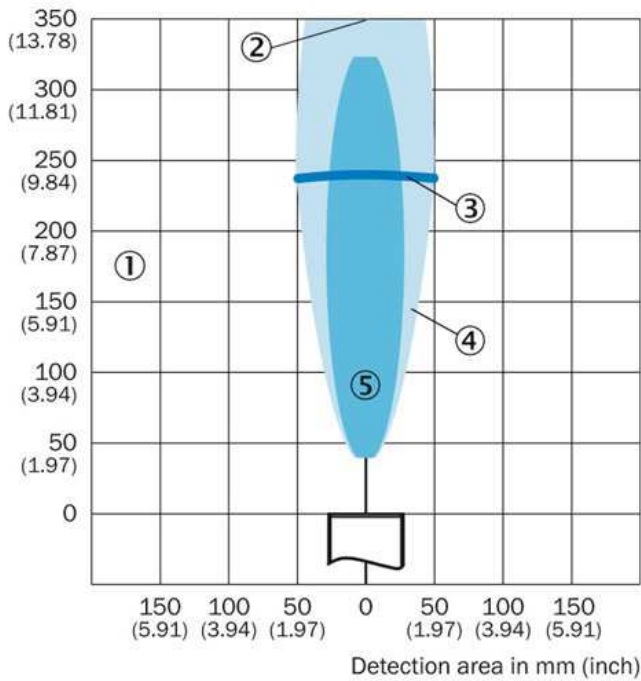


Connection diagram



Detection area

Detection area in mm (inch)



- [1] Sensing range dependent on reflection properties, size and orientation of the object
- [2] Limiting range
- [3] Working range
- [4] example object: aligned plate 500 mm x 500 mm
- [5] example object: pipe with 10 mm diameter

**Australia**

Phone +61 3 9457 0600  
1800 33 48 02 – tollfree  
E-Mail sales@sick.com.au

**Belgium/Luxembourg**

Phone +32 (0)2 466 55 66  
E-Mail info@sick.be

**Brasil**

Phone +55 11 3215-4900  
E-Mail marketing@sick.com.br

**Canada**

Phone +1 905 771 14 44  
E-Mail information@sick.com

**Česká republika**

Phone +420 2 57 91 18 50  
E-Mail sick@sick.cz

**China**

Phone +86 4000 121 000  
E-Mail info.china@sick.net.cn  
Phone +852-2153 6300  
E-Mail ghk@sick.com.hk

**Danmark**

Phone +45 45 82 64 00  
E-Mail sick@sick.dk

**Deutschland**

Phone +49 211 5301-301  
E-Mail info@sick.de

**España**

Phone +34 93 480 31 00  
E-Mail info@sick.es

**France**

Phone +33 1 64 62 35 00  
E-Mail info@sick.fr

**Great Britain**

Phone +44 (0)1727 831121  
E-Mail info@sick.co.uk

**India**

Phone +91-22-4033 8333  
E-Mail info@sick-india.com

**Israel**

Phone +972-4-6881000  
E-Mail info@sick-sensors.com

**Italia**

Phone +39 02 27 43 41  
E-Mail info@sick.it

**Japan**

Phone +81 (0)3 5309 2112  
E-Mail support@sick.jp

**Magyarország**

Phone +36 1 371 2680  
E-Mail office@sick.hu

**Nederland**

Phone +31 (0)30 229 25 44  
E-Mail info@sick.nl

**Norge**

Phone +47 67 81 50 00  
E-Mail sick@sick.no

**Österreich**

Phone +43 (0)22 36 62 28 8-0  
E-Mail office@sick.at

**Polska**

Phone +48 22 837 40 50  
E-Mail info@sick.pl

**România**

Phone +40 356 171 120  
E-Mail office@sick.ro

**Russia**

Phone +7-495-775-05-30  
E-Mail info@sick.ru

**Schweiz**

Phone +41 41 619 29 39  
E-Mail contact@sick.ch

**Singapore**

Phone +65 6744 3732  
E-Mail sales.gsg@sick.com

**Slovenija**

Phone +386 (0)1-47 69 990  
E-Mail office@sick.si

**South Africa**

Phone +27 11 472 3733  
E-Mail info@sickautomation.co.za

**South Korea**

Phone +82 2 786 6321/4  
E-Mail info@sickkorea.net

**Suomi**

Phone +358-9-25 15 800  
E-Mail sick@sick.fi

**Sverige**

Phone +46 10 110 10 00  
E-Mail info@sick.se

**Taiwan**

Phone +886 2 2375-6288  
E-Mail sales@sick.com.tw

**Türkiye**

Phone +90 (216) 528 50 00  
E-Mail info@sick.com.tr

**United Arab Emirates**

Phone +971 (0) 4 88 65 878  
E-Mail info@sick.ae

**USA/México**

Phone +1(952) 941-6780  
1 (800) 325-7425 – tollfree  
E-Mail info@sickusa.com

More representatives and agencies  
at [www.sick.com](http://www.sick.com)