



Ultrasonic sensors UM12

UM12-1192251



Model Name > [UM12-1192251](#)
Part No. > [6053547](#)



At a glance

- Reliable measurement, regardless of material color, transparency, gloss, or ambient light
- Very short and rugged M12 metal housing
- Variants with PNP/NPN switching output or analog output
- Immune to dirt, dust, humidity, and fog
- Detection, measurement, or positioning with ultrasound technology
- Cable teach-in

Your benefits

- Very compact housing dimensions for straightforward machine integration
- Proven M12 housing design ensures compatibility with other technologies
- Analog variants in compact design for complex measuring tasks
- Rugged, one-piece metal housing ensures highest machine uptimes
- Teach-in via cable prevents unintentional sensor adjustment reducing machine downtime
- The sensor's immunity to external factors enables it to take accurate measurements even in dirty, dusty, humid, and foggy conditions
- Integrated temperature compensation ensures high measurement accuracy at any time for best process quality



Performance

Resolution:	≥ 0.069 mm
Working range, limiting range:	40 mm ... 240 mm, 350 mm
Repeatability ¹⁾ :	± 0.15 %
Accuracy ²⁾ :	± 1 %
Response time:	30 ms
Switching frequency:	25 Hz
Ultrasonic frequency (typical):	500 kHz
Temperature compensation:	✓
Additional function:	Set switching mode: Distance to object (DtO)/switching window (Wnd)/ Object Between Sensor and Background (ObSB) Teach-in of switching output Invertible switching output Temperature compensation Reset to factory default
Output time:	10 ms

1) 2) Referring to current measurement value

Interfaces

Hysteresis: 3 mm

Mechanics/electronics

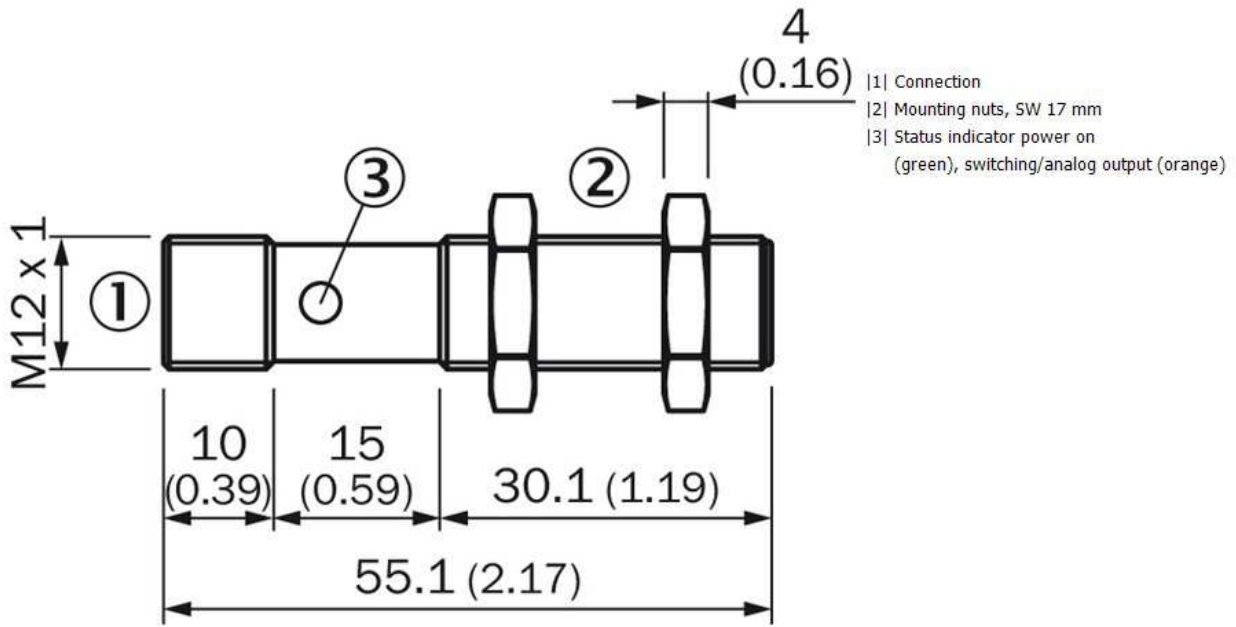
Sending axis: Straight
Supply voltage V_s ¹⁾: DC 10 V ... 30 V
Power consumption ²⁾: ≤ 1.2 W
Initialization time: < 300 ms
Design: Cylindrical
Housing material: Nickel-plated brass
PBT
ultrasonic transducer: polyurethane foam, glass epoxy resin
Electrical connection: Male connector, M12, 4-pin
Indication: 2 x LED
Weight: 15 g

1) Limit values, reverse-polarity protected, operation in short-circuit protected network: max. 8 A ²⁾ Without load

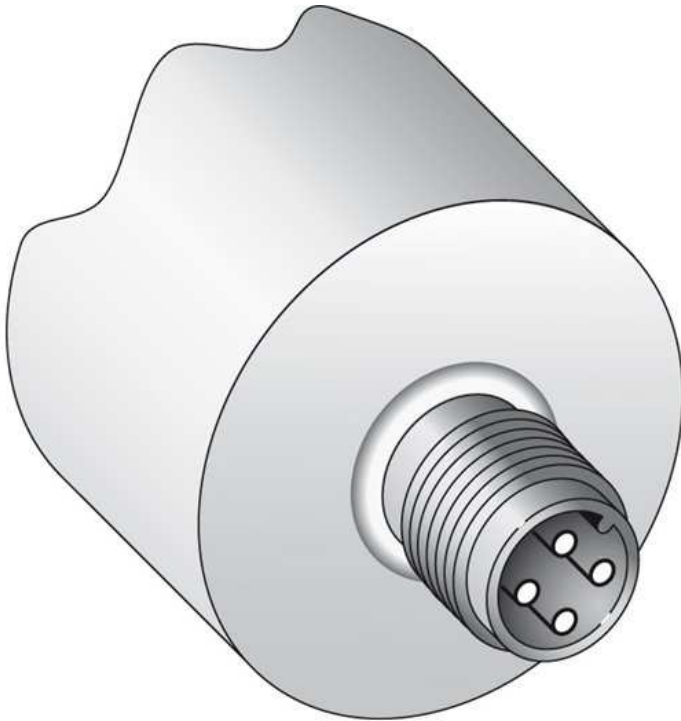
Ambient data

Enclosure rating: IP 67
Protection class: III
Ambient temperature: Operation: $-25 \dots +70$ °C
Storage: $-40 \dots +85$ °C

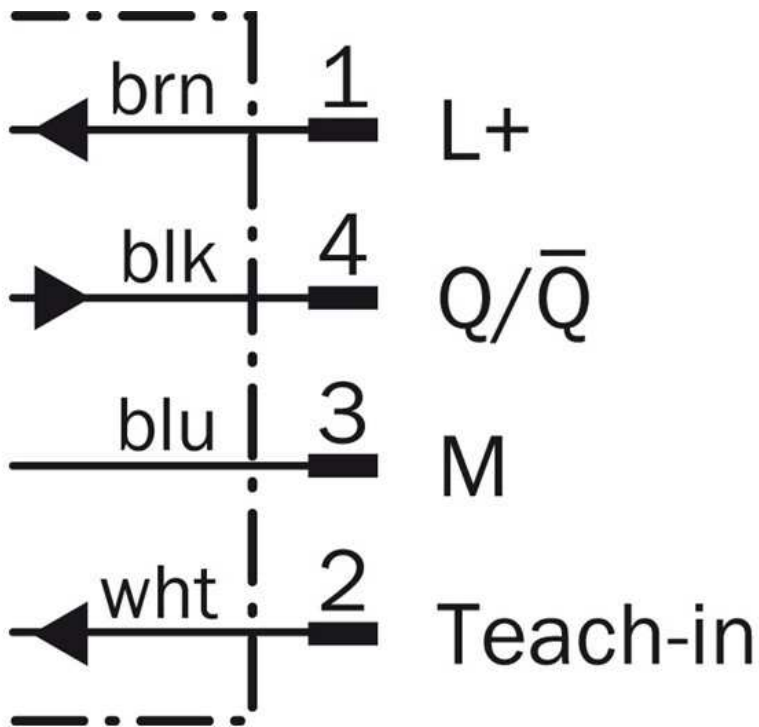
Dimensional drawing



Connection type

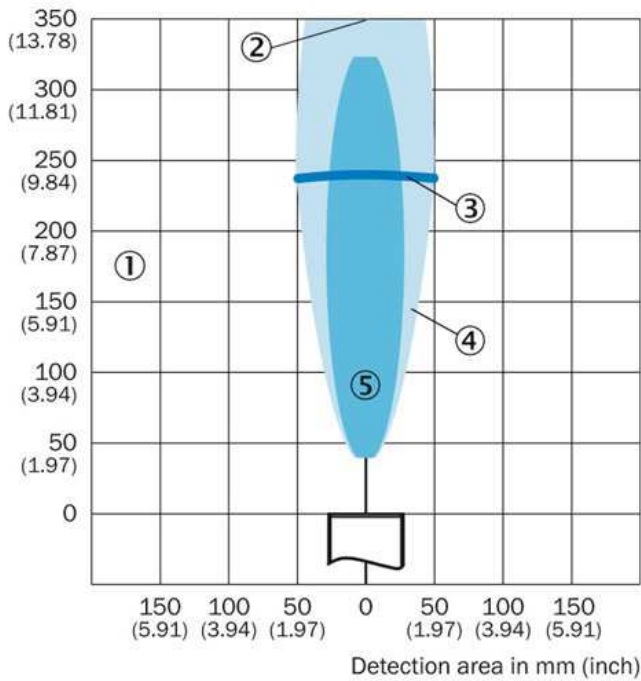


Connection diagram



Detection area

Detection area in mm (inch)



- [1] Sensing range dependent on reflection properties, size and orientation of the object
- [2] Limiting range
- [3] Working range
- [4] example object: aligned plate 500 mm x 500 mm
- [5] example object: pipe with 10 mm diameter

Australia

Phone +61 3 9457 0600
1800 33 48 02 – tollfree
E-Mail sales@sick.com.au

Belgium/Luxembourg

Phone +32 (0)2 466 55 66
E-Mail info@sick.be

Brasil

Phone +55 11 3215-4900
E-Mail marketing@sick.com.br

Canada

Phone +1 905 771 14 44
E-Mail information@sick.com

Česká republika

Phone +420 2 57 91 18 50
E-Mail sick@sick.cz

China

Phone +86 4000 121 000
E-Mail info.china@sick.net.cn
Phone +852-2153 6300
E-Mail ghk@sick.com.hk

Danmark

Phone +45 45 82 64 00
E-Mail sick@sick.dk

Deutschland

Phone +49 211 5301-301
E-Mail info@sick.de

España

Phone +34 93 480 31 00
E-Mail info@sick.es

France

Phone +33 1 64 62 35 00
E-Mail info@sick.fr

Great Britain

Phone +44 (0)1727 831121
E-Mail info@sick.co.uk

India

Phone +91-22-4033 8333
E-Mail info@sick-india.com

Israel

Phone +972-4-6881000
E-Mail info@sick-sensors.com

Italia

Phone +39 02 27 43 41
E-Mail info@sick.it

Japan

Phone +81 (0)3 5309 2112
E-Mail support@sick.jp

Magyarország

Phone +36 1 371 2680
E-Mail office@sick.hu

Nederland

Phone +31 (0)30 229 25 44
E-Mail info@sick.nl

Norge

Phone +47 67 81 50 00
E-Mail sick@sick.no

Österreich

Phone +43 (0)22 36 62 28 8-0
E-Mail office@sick.at

Polska

Phone +48 22 837 40 50
E-Mail info@sick.pl

România

Phone +40 356 171 120
E-Mail office@sick.ro

Russia

Phone +7-495-775-05-30
E-Mail info@sick.ru

Schweiz

Phone +41 41 619 29 39
E-Mail contact@sick.ch

Singapore

Phone +65 6744 3732
E-Mail sales.gsg@sick.com

Slovenija

Phone +386 (0)1-47 69 990
E-Mail office@sick.si

South Africa

Phone +27 11 472 3733
E-Mail info@sickautomation.co.za

South Korea

Phone +82 2 786 6321/4
E-Mail info@sickkorea.net

Suomi

Phone +358-9-25 15 800
E-Mail sick@sick.fi

Sverige

Phone +46 10 110 10 00
E-Mail info@sick.se

Taiwan

Phone +886 2 2375-6288
E-Mail sales@sick.com.tw

Türkiye

Phone +90 (216) 528 50 00
E-Mail info@sick.com.tr

United Arab Emirates

Phone +971 (0) 4 88 65 878
E-Mail info@sick.ae

USA/México

Phone +1(952) 941-6780
1 (800) 325-7425 – tollfree
E-Mail info@sickusa.com

More representatives and agencies
at www.sick.com