



Ultrasonic sensors UM12

UM12-1192271



Model Name > [UM12-1192271](#)
Part No. > [6053549](#)



At a glance

- Reliable measurement, regardless of material color, transparency, gloss, or ambient light
- Very short and rugged M12 metal housing
- Variants with PNP/NPN switching output or analog output
- Immune to dirt, dust, humidity, and fog
- Detection, measurement, or positioning with ultrasound technology
- Cable teach-in

Your benefits

- Very compact housing dimensions for straightforward machine integration
- Proven M12 housing design ensures compatibility with other technologies
- Analog variants in compact design for complex measuring tasks
- Rugged, one-piece metal housing ensures highest machine uptimes
- Teach-in via cable prevents unintentional sensor adjustment reducing machine downtime
- The sensor's immunity to external factors enables it to take accurate measurements even in dirty, dusty, humid, and foggy conditions
- Integrated temperature compensation ensures high measurement accuracy at any time for best process quality



Performance

| | |
|---------------------------------|---|
| Resolution: | ≥ 0.069 mm |
| Working range, limiting range: | 40 mm ... 240 mm, 350 mm |
| Repeatability ¹⁾ : | ± 0.15 % |
| Accuracy ²⁾ : | ± 1 % |
| Response time ³⁾ : | 30 ms |
| Ultrasonic frequency (typical): | 500 kHz |
| Temperature compensation: | ✓ |
| Additional function: | Teach-in of analog output Temperature compensation Reset to factory default Invertible analog output |
| Output time: | 10 ms |

^{1) 2)} Referring to current measurement value ³⁾ Subsequent smoothing of the analog output, depending on the application, may increase the response time by up to 200 %

Interfaces

Analog output: 1 x 0 V ... 10 V ($\geq 100 \text{ k}\Omega$)

Mechanics/electronics

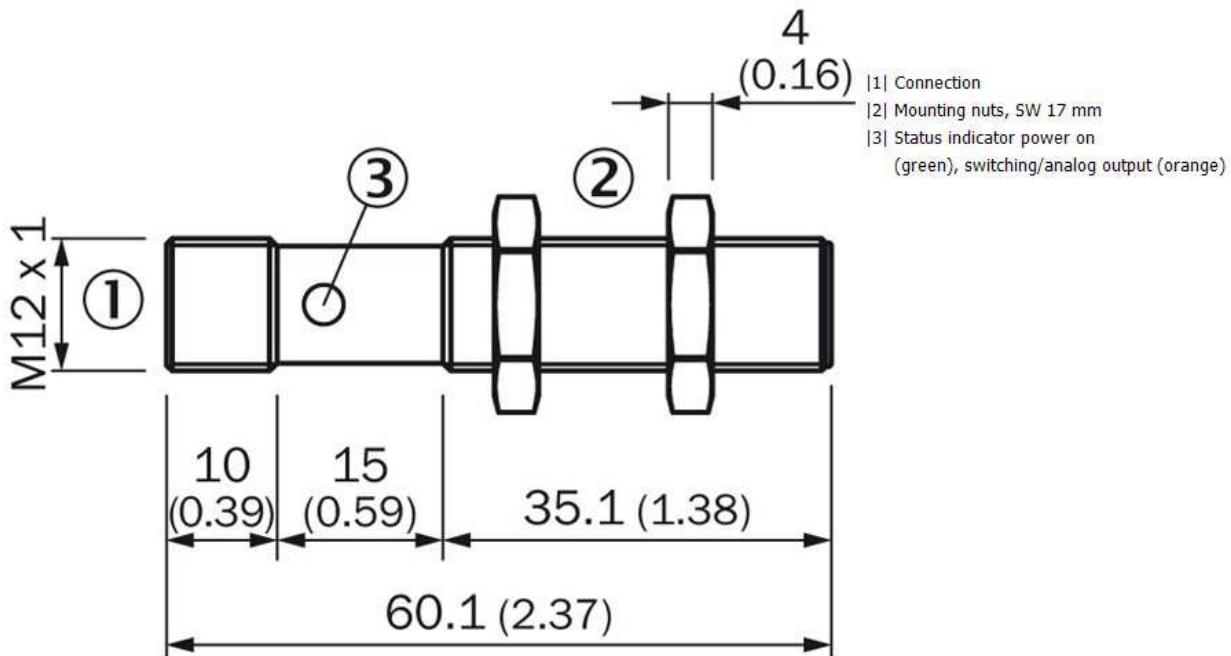
Sending axis: Straight
Supply voltage V_s ¹⁾: DC 15 V ... 30 V
Power consumption ²⁾: $\leq 1.2 \text{ W}$
Initialization time: $< 300 \text{ ms}$
Design: Cylindrical
Housing material: Nickel-plated brass
PBT
ultrasonic transducer: polyurethane foam, glass epoxy resin
Electrical connection: Male connector, M12, 4-pin
Indication: 2 x LED
Weight: 15 g

¹⁾ Limit values, reverse-polarity protected, operation in short-circuit protected network: max. 8 A ²⁾ Without load

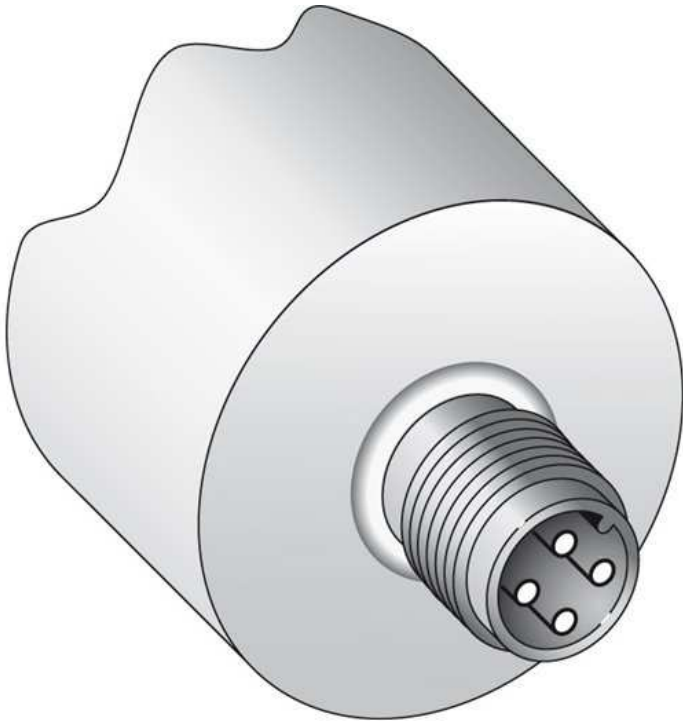
Ambient data

Enclosure rating: IP 67
Protection class: III
Ambient temperature: Operation: $-25 \dots +70 \text{ }^\circ\text{C}$
Storage: $-40 \dots +85 \text{ }^\circ\text{C}$

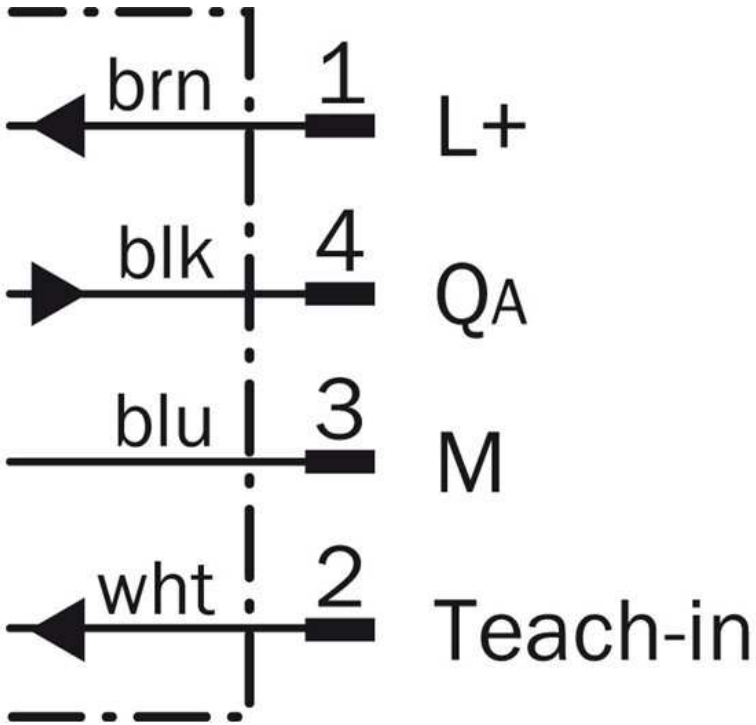
Dimensional drawing



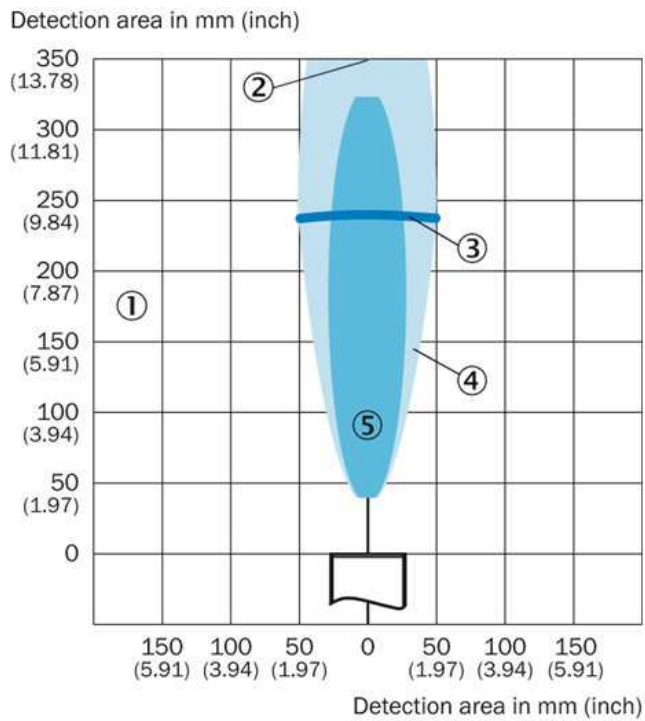
Connection type



Connection diagram



Detection area



- |1| Sensing range dependent on reflection properties, size and orientation of the object
- |2| Limiting range
- |3| Working range
- |4| example object: aligned plate 500 mm x 500 mm
- |5| example object: pipe with 10 mm diameter

Australia

Phone +61 3 9457 0600
1800 33 48 02 – tollfree
E-Mail sales@sick.com.au

Belgium/Luxembourg

Phone +32 (0)2 466 55 66
E-Mail info@sick.be

Brasil

Phone +55 11 3215-4900
E-Mail marketing@sick.com.br

Canada

Phone +1 905 771 14 44
E-Mail information@sick.com

Česká republika

Phone +420 2 57 91 18 50
E-Mail sick@sick.cz

China

Phone +86 4000 121 000
E-Mail info.china@sick.net.cn
Phone +852-2153 6300
E-Mail ghk@sick.com.hk

Danmark

Phone +45 45 82 64 00
E-Mail sick@sick.dk

Deutschland

Phone +49 211 5301-301
E-Mail info@sick.de

España

Phone +34 93 480 31 00
E-Mail info@sick.es

France

Phone +33 1 64 62 35 00
E-Mail info@sick.fr

Great Britain

Phone +44 (0)1727 831121
E-Mail info@sick.co.uk

India

Phone +91-22-4033 8333
E-Mail info@sick-india.com

Israel

Phone +972-4-6881000
E-Mail info@sick-sensors.com

Italia

Phone +39 02 27 43 41
E-Mail info@sick.it

Japan

Phone +81 (0)3 5309 2112
E-Mail support@sick.jp

Magyarország

Phone +36 1 371 2680
E-Mail office@sick.hu

Nederland

Phone +31 (0)30 229 25 44
E-Mail info@sick.nl

Norge

Phone +47 67 81 50 00
E-Mail sick@sick.no

Österreich

Phone +43 (0)22 36 62 28 8-0
E-Mail office@sick.at

Polska

Phone +48 22 837 40 50
E-Mail info@sick.pl

România

Phone +40 356 171 120
E-Mail office@sick.ro

Russia

Phone +7-495-775-05-30
E-Mail info@sick.ru

Schweiz

Phone +41 41 619 29 39
E-Mail contact@sick.ch

Singapore

Phone +65 6744 3732
E-Mail sales.gsg@sick.com

Slovenija

Phone +386 (0)1-47 69 990
E-Mail office@sick.si

South Africa

Phone +27 11 472 3733
E-Mail info@sickautomation.co.za

South Korea

Phone +82 2 786 6321/4
E-Mail info@sickkorea.net

Suomi

Phone +358-9-25 15 800
E-Mail sick@sick.fi

Sverige

Phone +46 10 110 10 00
E-Mail info@sick.se

Taiwan

Phone +886 2 2375-6288
E-Mail sales@sick.com.tw

Türkiye

Phone +90 (216) 528 50 00
E-Mail info@sick.com.tr

United Arab Emirates

Phone +971 (0) 4 88 65 878
E-Mail info@sick.ae

USA/México

Phone +1(952) 941-6780
1 (800) 325-7425 – tollfree
E-Mail info@sickusa.com

More representatives and agencies
at www.sick.com