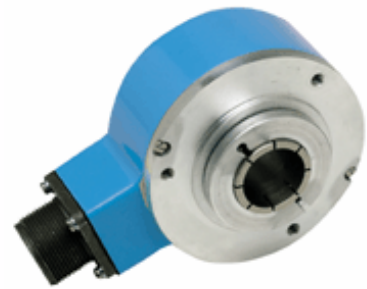




## Incremental encoders DGS35

DGS35-5L400360



**Model Name** > [DGS35-5L400360](#)  
**Part No.** > [7101687](#)



*Illustration may differ*

**At a glance**

- Incremental encoder Ø 3.5"
- Electrical interface
- 5V TTL / RS422
- 8 ... 24V TTL / RS422
- 8 ... 24V HTL / push pull
- 8 ... 24V Open Collector"
- Blind hollow shaft Ø 30 mm; 1", ½", 5/8", ¾", 7/8"
- Connection type cable 1 m, 1,5 m, 3 m, 5 m, 10 m
- Number of lines 120 ... 16,384

**Your benefits**

- High frequency response eliminates need for speed reduction hardware
- Hollow shaft design eliminates need for couplings and mounting brackets
- Anti-rotation brackets available for most AC induction motor frames



**Performance**

Pulses per revolution: 360

**Mechanical data**

Mechanical interface: Through hollow shaft  
Shaft diameter: 30 mm  
Start up torque: 9 Ncm  
Operating torque: 7 Ncm  
Moment of inertia of the rotor: 490 gcm<sup>2</sup>

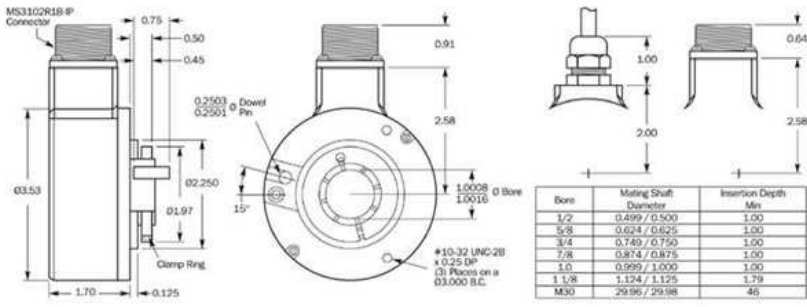
**Electrical data**

Electrical interface: 8 ... 24 V, HTL, Male connector, MS, 10-pin, radial  
Electrical connection: Male connector, MS, 10-pin, radial  
Maximum output frequency: 300 kHz, 600 kHz

**Ambient data**

Working temperature range: -20 °C ... +70 °C  
Storage temperature range: -30 °C ... +85 °C

# Dimensional drawing



**Australia**

Phone +61 3 9457 0600  
1800 33 48 02 – tollfree  
E-Mail sales@sick.com.au

**Belgium/Luxembourg**

Phone +32 (0)2 466 55 66  
E-Mail info@sick.be

**Brasil**

Phone +55 11 3215-4900  
E-Mail marketing@sick.com.br

**Canada**

Phone +1 905 771 14 44  
E-Mail information@sick.com

**Česká republika**

Phone +420 2 57 91 18 50  
E-Mail sick@sick.cz

**China**

Phone +86 4000 121 000  
E-Mail info.china@sick.net.cn  
Phone +852-2153 6300  
E-Mail ghk@sick.com.hk

**Danmark**

Phone +45 45 82 64 00  
E-Mail sick@sick.dk

**Deutschland**

Phone +49 211 5301-301  
E-Mail info@sick.de

**España**

Phone +34 93 480 31 00  
E-Mail info@sick.es

**France**

Phone +33 1 64 62 35 00  
E-Mail info@sick.fr

**Great Britain**

Phone +44 (0)1727 831121  
E-Mail info@sick.co.uk

**India**

Phone +91-22-4033 8333  
E-Mail info@sick-india.com

**Israel**

Phone +972-4-6881000  
E-Mail info@sick-sensors.com

**Italia**

Phone +39 02 27 43 41  
E-Mail info@sick.it

**Japan**

Phone +81 (0)3 5309 2112  
E-Mail support@sick.jp

**Magyarország**

Phone +36 1 371 2680  
E-Mail office@sick.hu

**Nederland**

Phone +31 (0)30 229 25 44  
E-Mail info@sick.nl

**Norge**

Phone +47 67 81 50 00  
E-Mail sick@sick.no

**Österreich**

Phone +43 (0)22 36 62 28 8-0  
E-Mail office@sick.at

**Polska**

Phone +48 22 837 40 50  
E-Mail info@sick.pl

**România**

Phone +40 356 171 120  
E-Mail office@sick.ro

**Russia**

Phone +7-495-775-05-30  
E-Mail info@sick.ru

**Schweiz**

Phone +41 41 619 29 39  
E-Mail contact@sick.ch

**Singapore**

Phone +65 6744 3732  
E-Mail sales.gsg@sick.com

**Slovenija**

Phone +386 (0)1-47 69 990  
E-Mail office@sick.si

**South Africa**

Phone +27 11 472 3733  
E-Mail info@sickautomation.co.za

**South Korea**

Phone +82 2 786 6321/4  
E-Mail info@sickkorea.net

**Suomi**

Phone +358-9-25 15 800  
E-Mail sick@sick.fi

**Sverige**

Phone +46 10 110 10 00  
E-Mail info@sick.se

**Taiwan**

Phone +886 2 2375-6288  
E-Mail sales@sick.com.tw

**Türkiye**

Phone +90 (216) 528 50 00  
E-Mail info@sick.com.tr

**United Arab Emirates**

Phone +971 (0) 4 88 65 878  
E-Mail info@sick.ae

**USA/México**

Phone +1(952) 941-6780  
1 (800) 325-7425 – tollfree  
E-Mail info@sickusa.com

More representatives and agencies  
at [www.sick.com](http://www.sick.com)