



Magnetic Cylinder Sensors Roundbody cylinder

MZR2-03V-N-AW0



Model Name > [MZR2-03V-N-AW0](#)
Part No. > [7901321](#)



At a glance

- Universal mounting with mounting bracket for cylinders with diameters of up to 100 mm
- NAMUR as per EN 60 947-5-6
- IP 67 enclosure rating
- Industrial aluminum housing
- TÜV 99 ATEX 1398 EX II 2 G Ex ia IIC T6 Ta: -20...70°C
- LED status indicator
- Operating temperature from -20...70° C

Your benefits

- Highly resistant to shock and vibrations, ensuring a long service life and reduced maintenance costs
- High switching point accuracy reduces material loss



Features

Output type:	NAMUR
Electrical wiring:	DC 2-wire
Sensing face:	Front
Cylinder types with adapter:	Roundbody cylinder
Switching frequency:	5,000 Hz
Enclosure rating:	IP 67 ¹⁾

¹⁾ According to EN 60529

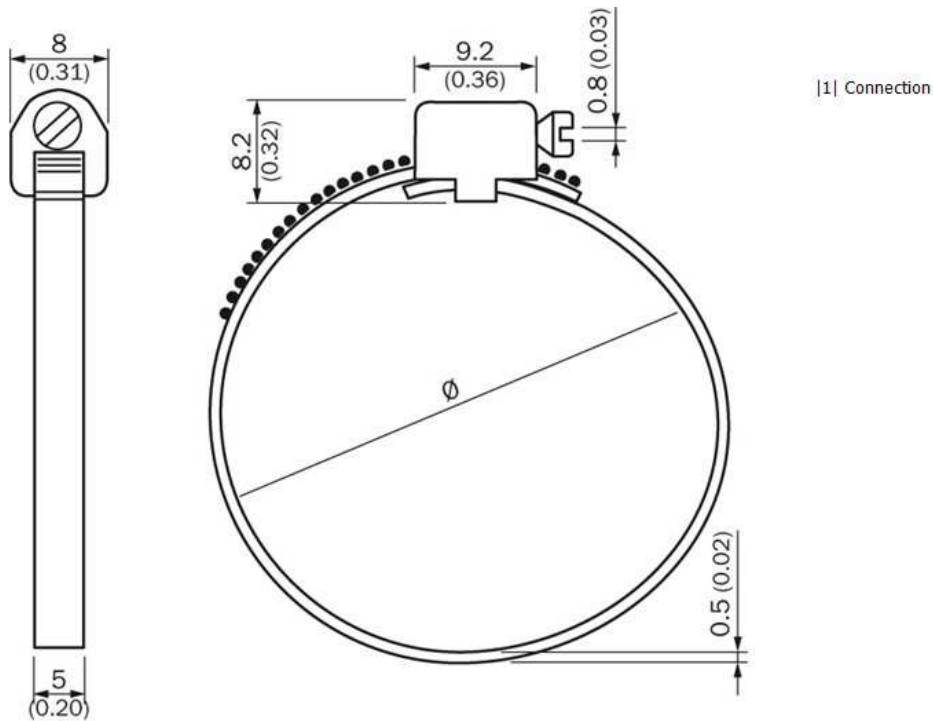
Mechanics/electronics

Electrical connection:	Cable, 2-wire, 2 m
Supply voltage:	5 V DC ... 25 V DC
Voltage drop:	≤ 1.5 V ¹⁾
Output current I _a :	≤ 300 mA
Temperature drift (of Sr):	± 0.005 mm/°C
EMC:	According to EN 60947-5-6
Current consumption, sensor is activated:	≥ 2.5 mA
Current consumption, sensor is not activated:	≤ 1 mA
Cable material:	PVC
Conductor cross-section:	0.34 mm ²
Cable resistance:	≤ 50 Ω

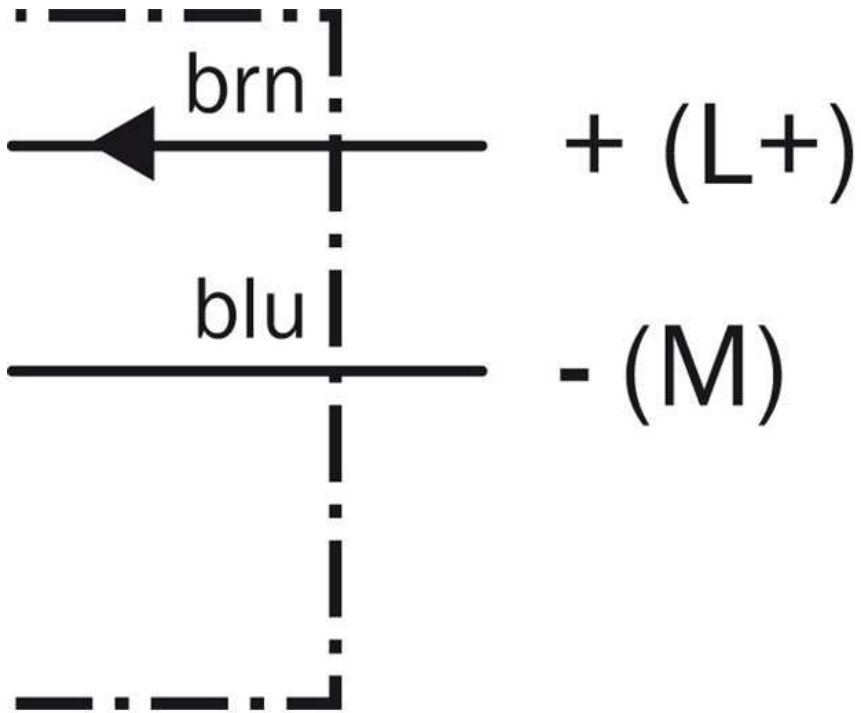
Short-circuit protection:	✓
Housing material:	Metal, Aluminum
Sensing face material:	Plastic
EC Approval Certificate:	TÜV 99 ATEX 1398
ATEX marking:	EX II 2 G Ex ia IIC T6 Ta: -20...70°C
Input voltage U_i max.:	16 V
Input power P_i max.:	100 mW
Input current I_i max.:	30 mA
Internal capacitance C_i max.:	15 nF
Internal inductance L_i max.:	$\leq 35 \mu\text{H}$
Nominal voltage:	8.2 V DC
Time delay before availability:	$\leq 2 \text{ ms}$
Magnetic field sensitivity, min.:	$\leq 3 \text{ mT}$
Repeatability:	$\leq 0.1 \text{ mm}^2$)
Ambient temperature operation:	-25 °C ... 70 °C
Housing length:	30 mm
Shock/vibration:	30 g, 11 ms/10 ... 55 Hz, 1 mm

1) At $I_{a \text{ max}}$ 2) U_b and T_a constant

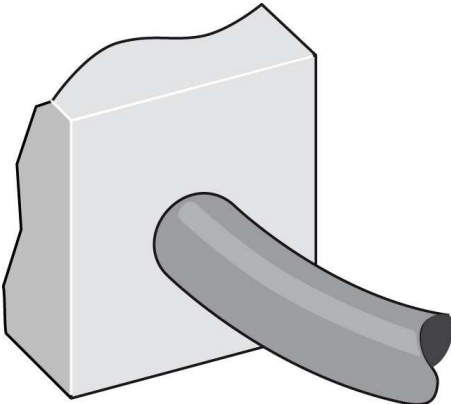
Dimensional drawing



Connection diagram



Connection type



Australia

Phone +61 3 9457 0600
1800 33 48 02 – tollfree
E-Mail sales@sick.com.au

Belgium/Luxembourg

Phone +32 (0)2 466 55 66
E-Mail info@sick.be

Brasil

Phone +55 11 3215-4900
E-Mail marketing@sick.com.br

Canada

Phone +1 905 771 14 44
E-Mail information@sick.com

Česká republika

Phone +420 2 57 91 18 50
E-Mail sick@sick.cz

China

Phone +86 4000 121 000
E-Mail info.china@sick.net.cn
Phone +852-2153 6300
E-Mail ghk@sick.com.hk

Danmark

Phone +45 45 82 64 00
E-Mail sick@sick.dk

Deutschland

Phone +49 211 5301-301
E-Mail info@sick.de

España

Phone +34 93 480 31 00
E-Mail info@sick.es

France

Phone +33 1 64 62 35 00
E-Mail info@sick.fr

Great Britain

Phone +44 (0)1727 831121
E-Mail info@sick.co.uk

India

Phone +91-22-4033 8333
E-Mail info@sick-india.com

Israel

Phone +972-4-6881000
E-Mail info@sick-sensors.com

Italia

Phone +39 02 27 43 41
E-Mail info@sick.it

Japan

Phone +81 (0)3 5309 2112
E-Mail support@sick.jp

Magyarország

Phone +36 1 371 2680
E-Mail office@sick.hu

Nederland

Phone +31 (0)30 229 25 44
E-Mail info@sick.nl

Norge

Phone +47 67 81 50 00
E-Mail sick@sick.no

Österreich

Phone +43 (0)22 36 62 28 8-0
E-Mail office@sick.at

Polska

Phone +48 22 837 40 50
E-Mail info@sick.pl

România

Phone +40 356 171 120
E-Mail office@sick.ro

Russia

Phone +7-495-775-05-30
E-Mail info@sick.ru

Schweiz

Phone +41 41 619 29 39
E-Mail contact@sick.ch

Singapore

Phone +65 6744 3732
E-Mail sales.gsg@sick.com

Slovenija

Phone +386 (0)1-47 69 990
E-Mail office@sick.si

South Africa

Phone +27 11 472 3733
E-Mail info@sickautomation.co.za

South Korea

Phone +82 2 786 6321/4
E-Mail info@sickkorea.net

Suomi

Phone +358-9-25 15 800
E-Mail sick@sick.fi

Sverige

Phone +46 10 110 10 00
E-Mail info@sick.se

Taiwan

Phone +886 2 2375-6288
E-Mail sales@sick.com.tw

Türkiye

Phone +90 (216) 528 50 00
E-Mail info@sick.com.tr

United Arab Emirates

Phone +971 (0) 4 88 65 878
E-Mail info@sick.ae

USA/México

Phone +1(952) 941-6780
1 (800) 325-7425 – tollfree
E-Mail info@sickusa.com

More representatives and agencies
at www.sick.com