

## Remote thermometer with clamp

Model T4720 48 x 48  
 Model T4722 52 x 52  
 Model T4726 72 x 72

Model T4736 ND 40  
 Model T4728 ND 52  
 Model T4737 ND 60



### Description

The housings of this product line are equipped with moulded clips, providing easy and secure panel installation in vibration-free areas.

Measurements are recorded by the liquid-filled measuring system, which consists of a temperature sensor, a capillary tube and a Bourdon spring. These three components combine to form a closed tube system.

The internal pressure in this system changes depending on the temperature, which causes the pointer axle connected to the spring to rotate and display the temperature value on the scale.

Temperatures of between  $-40^{\circ}\text{C}$  and  $+200^{\circ}\text{C}$  are rapidly and accurately indicated by the closed system.

The capillary tube, which is between 500 mm and 5000 mm in length, allows measurements to be taken at any point using a mechanical remote display.

### Features

- Fast response time
- Easy installation with clips.
- Measuring point and display in different locations
- Compact housing

### Measuring ranges

$-40 \dots +40^{\circ}\text{C}$  up to  $0 \dots +200^{\circ}\text{C}$   
 $0 \dots 350^{\circ}\text{C}$  at model 4720

### Options



- Measuring range  $^{\circ}\text{F}$

### Applications

Refrigeration engineering  
 heating, air conditioning  
 Food industry

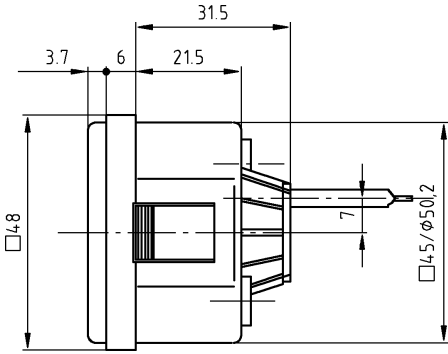
**Model: T4720 , T4722, T4726,  
 T4728, T4736, T4737**

## Technical data

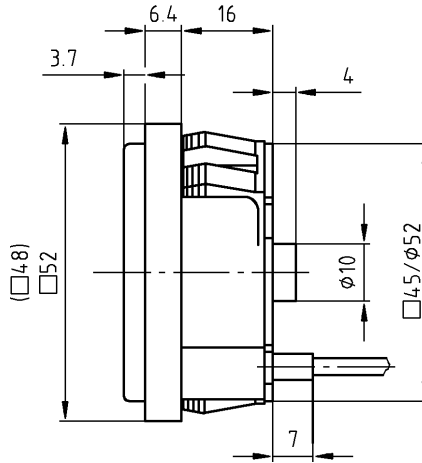
Model	T4720	T4722	T4726	T4736	T4728	T4737
Symbol						
Nominal size	48 x 48	52 x 52	72 x 72	40	52	60
case	plastic (ABS)					
Type of mounting	Panel mounting with clamp					
Window	plastic transparent					
Dial	background white, scale and imprint black					
Pointer	plastic, black					
Scale angle	approx. 270 °					
Max. measuring range	350°C		200°C			
Measuring range and scale division	Measuring range in °C	limit of error ± °C		scale division in °C		
	-40... +40	2		1		
	-40... +60	2		1		
	-30... +50	2		1		
	-20... +60	2		1		
	-20... +80	2		1		
	0... 60	2		1		
	0... 80	2		1		
	0... 100	2		1		
0... 120	4		2			
0... 160	4		2			
0... 200	4		2			
Display accuracy	± 2 % of measuring range					
Connection capillary	back, excentric					
Capillary tube	plastic coated or copper braided acc. to measuring range, capillary Cu.-alloy					
length	max. 10000 mm		max. 5000 mm			
Stem	Cu.-alloy					
Filled media	Xylol					
Measuring principle	Liquid expansion					
Protection class	IP 54 (EN 60529/ IEC 529)					

# Dimensions

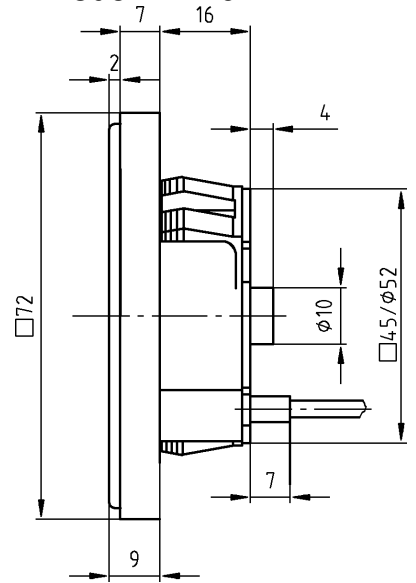
**Model T4720 48 x 48**



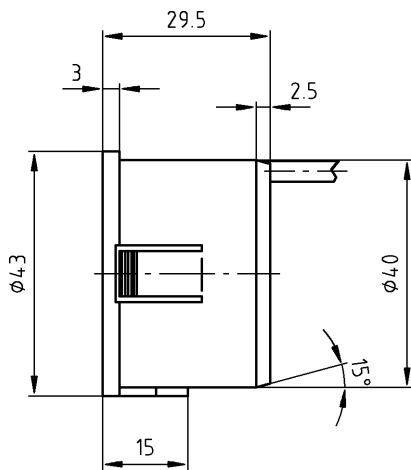
**Model T4722 52 x 52**



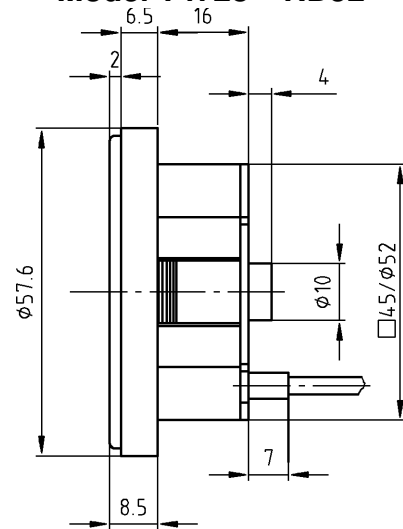
**Model T4726 72 x 72**



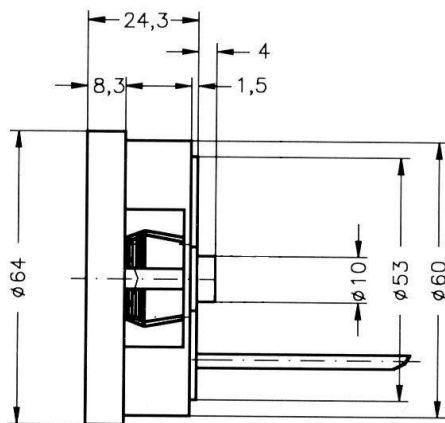
**Model T4736 ND40**



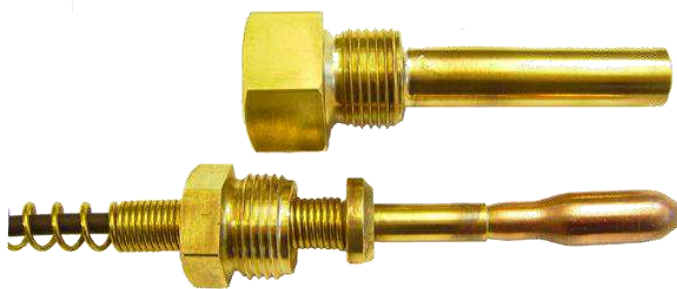
**Model T4728 ND52**

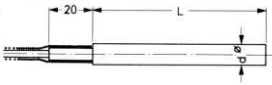
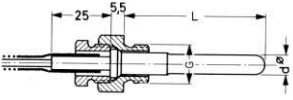
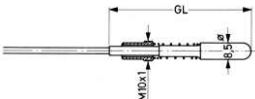


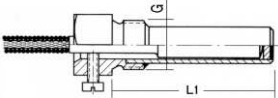
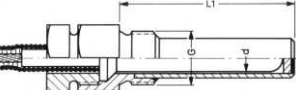
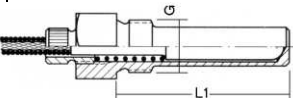
**Model T4737 ND60**



# Stem and thermowells



Stem	plain; without thread	turnable with sealing cone and screwing	turnable with fixation spring
Material	Cu.-alloy	Cu.- alloy	Cu.- alloy
Stem length L	50 mm 75 mm 100 mm 150 mm 175 mm	50 mm 75 mm 100 mm 150 mm 175 mm	75 mm 100 mm 125 mm 175 mm
Stem diameter $\varnothing d$	6 mm 8 mm 8,5 mm 10 mm	6 mm 8 mm 8,5 mm 10 mm	8,5
Dimensions			
Thread G		M14x1,5 M16x1,5 M18x1,5 G 1/4 G 3/8 G 1/2	

Thermowell	multipart jacket for plain sensor fixation	multipart jacket for sensors with sealing cone	multipart jacket for sensors with fixation spring
Material	Cu.- alloy	Cu.- alloy	Cu.- alloy
Immersion length L1	100 mm 150 mm 200 mm	80 mm 100 mm 150 mm 200 mm	32 mm 45 mm 75 mm 100 mm 125 mm
Dimensions			
Thread G	G 3/8 G 1/2	G 3/8 G 1/2 M14x1,5	G 1/4 G 3/8 G 1/2 M18x1,5

## Ordering informations

Model / Measuring range / length of capillary tube / stem / options

Subject to technical changes