

Pressure sensors special

for low and differential pressures

with or without 3 ½ digits LED-display

Accuracy 1 % or 0,6 %

Standard output: 4...20 mA; 2-wire



Description

Pressure sensors special for low and differential pressures are preferably used for the measurement of lowest gauge pressures, differential pressures, absolute pressure and volume flow measurements for dry non-aggressive gases.

The main applications are in heating, air conditioning, filter and dedusting technology as well as medical technology.

The graded measuring ranges range from 0...0,5 mbar to 0...1000 mbar.

The display has a 3 ½-digits LED-display with figure height of 12,7 mm.

A piezoresistive chip serves as the measuring element. The integrated amplifier provides a process suitable output signal (e.g. 4...20 mA).

The pressure sensors meet the electronic magnetic compatibility (EMC) requirements to EN 61326.

Features

- Measuring ranges from 0,5 mbar to 1000 mbar
- 3 ½-digits LED-display
- High reliability

Measuring ranges

- Gauge pressures 0...0,5 mbar up to 0...1000 mbar

Applications

Heating and air conditioning, filter and dedusting technology, medical technology.

Model No.: P3317

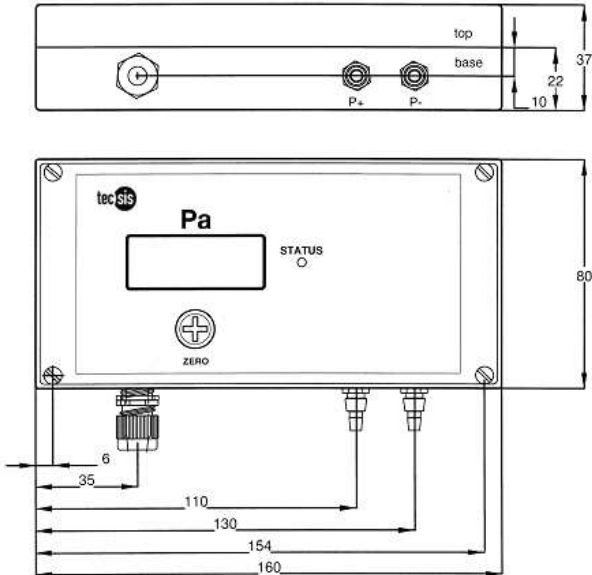
Technical data

Model	P3317							
Pressure type	gauge pressure respectively differential pressure							
Measuring ranges [mbar]	0,5	2,5	5	10	25	50	100	1000
Overload limit [mbar]	250	350	250	350	350	350	350	3000
Output signal	4...20 mA - 2 wire							
Accuracy	1 % of F.S.						0,6 % of F.S.	
Sensor element	piezoresistive							
Hysteresis	0,1%							
Repeatability [% v.EW.]	2	0,3	0,3	0,2	0,1			
Stability per year [% v.EW.]	3	2	1	0,5	0,1			
Pressure connection	2 tube connections for 4 mm tube							
Media	only suitable for dry non-aggressive gases							
Electrical connection	PG7 – screw coupling and internal screw terminals							
Power supply	15...30 VDC							
Load	20 ... 400 Ω for output 4...20 mA							
Temperature comp. range	0... 50°C							
Temperature influence [% of F. S.]	± 3	± 2	± 1					
Operating temperature	-20 50 °C							
Response time	1 ms							
Protection type	IP 65 according to EN 60529/IEC 529							
Case	ABS							
Weight	approx. 0,2 kg							

Other pressure ranges on request

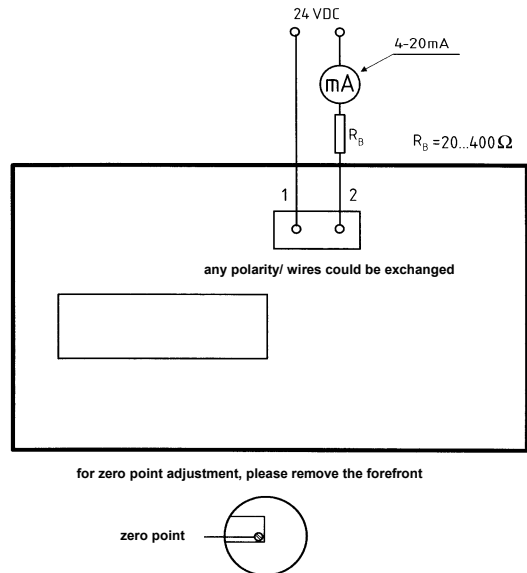
Model P3317 with LED-display

Dimensions (mm)



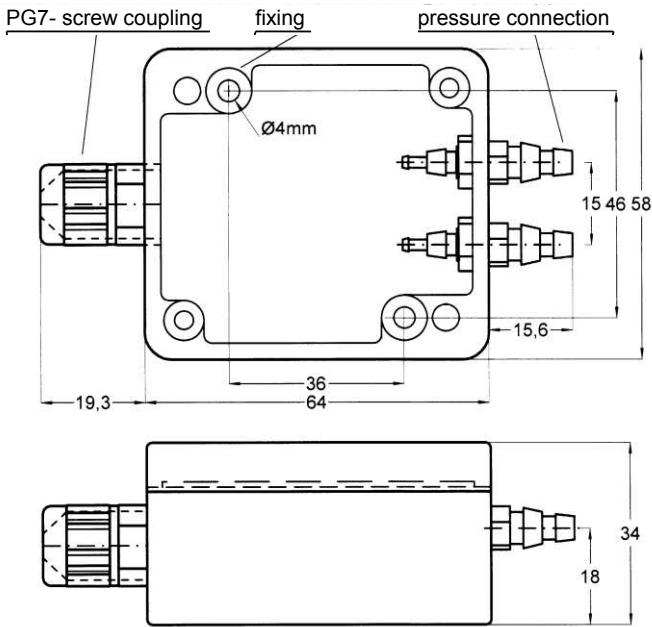
Electrical connection

4...20 mA / 2-wire



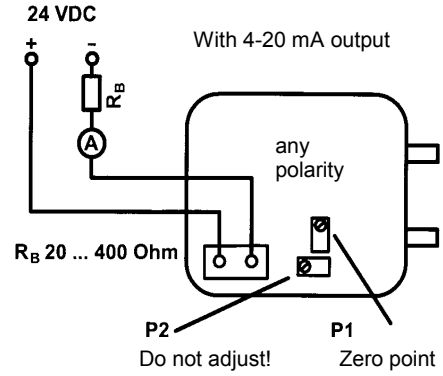
Model No P3317 without LED-display

Dimensions (mm)

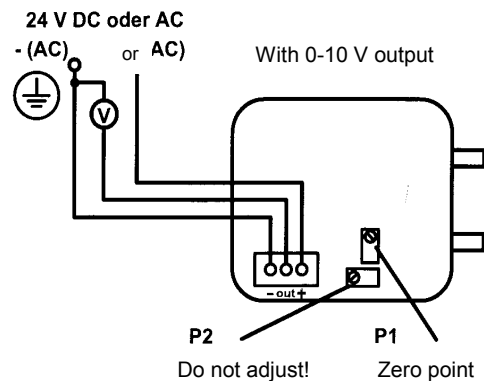


Electrical connection

4...20 mA / 2-wire



0...10 V / 3-wire



Order details

1. Model No.
2. Measuring range
3. Output signal

Subject to technical changes