

Heavy Duty pressure gauges with Bourdon tube

Nominal sizes ND 160

Connection position bottom, radial or back, eccentric



Description

Pressure gauges of the comprehensive Heavy Duty range are manufactured on the basis of the modular construction system which brings advantages of quality and price. The gauges can be used in all applications where particular importance is attached to measuring accuracy, reproducibility and long-term stability. They can be used with liquid or gaseous media which are not highly viscous and which do not attack copper alloys or crystallize. A wide range of options enables the user to adapt the gauges to its own special requirements.

All Heavy Duty pressure gauges comply with general international recommendations for measuring systems and take requirements for specific applications and technical standards into consideration.

Panel mounting is facilitated by the central connecting pin at the back and a corresponding mounting bracket.

Special features

- o High reliability and long service life due to modular construction system
- o Accuracy class 1.0
- o Copper alloy measuring system
- o Overload capacity 1.3 x

Measuring ranges



0 ... 0.6 bar to 0 ... 1600 bar

Applications

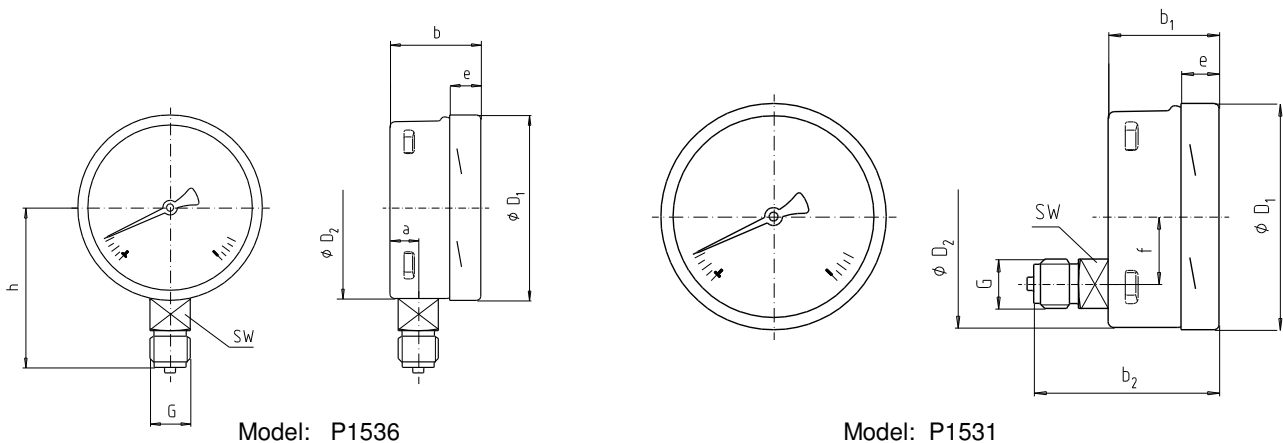
Mechanical engineering and apparatus construction, conveyor systems, power supply, testing and monitoring systems.

Models: P1531, P1536

Technical data

Models	P1536	P1531	Options
Nominal size	160		
Symbol			
Accuracy class	1.0 to EN 837-1		
Ranges	0...0.6 bar to 0...1600 bar negative or positive or negative and positive gauge pressure		
Application	Constant load: up to full scale value Dynamic load: up to 0.9 x full scale value short-time: 1.3 x overload capacity		1.5 to 2 x
Case	Stainless steel, 1.4301 bright		Pressure relief opening
Bezel	Bayonet ring, stainless steel 1.4301 bright		Stainless steel, polished front flange <i>P1531</i> : triangular bezel VA, polished with clamp
Window	Glass lens		Safety glass, Plexiglass
Dial	Aluminium white, scale and imprint black		Dual scale
Pointer	Aluminium black		Max. indicating pointer
Movement	CuZn-alloy		Manocont
Measuring element	Copper alloy up to <100 bar, above ≥100 bar stainless steel		
Pressure connection	CuZn-alloy up to 1000 bar, ≥ 1000 bar stainless steel 1.4571		
- position	radial bottom	eccentric back	
- thread	G 1/2 B		Other threads on request
Temperatures	Tmin. -20°C, Tmax. 80°C - Ambient Tmin. -40°C, Tmax. 60°C		
Temperature drift	0.3 %/10K if deviation from normal temperature 20°C		
Protection to EN 60 529 / IEC 529	IP 54	IP 43	
Throttle	without		Brass ø 0.3 ; ø 0.4 ; ø 0.8
Weight approx.	1.0 kg	1.2 kg	

Dimensions



Model	Dimensions in mm										
	a	b	b ₁	b ₂	D ₁	D ₂	e	f	G	h	SW
P1531	15.5	49.5 ¹⁾		--	161	159	17,5	--	G1/ 2B	118	22
P1536	--		49.5 ²⁾	83 ²⁾	161	159	17,5	50	G1/2 B	--	22

¹⁾ Ranges 1600 bar = 65.5 mm

²⁾ Ranges ≥ 100 bar plus 16 mm

Modifications reserved