

Heavy Duty pressure gauges with Bourdon tube and glycerine filling

Nominal sizes ND 100

Connection position bottom, radial
or back, eccentric

Licence:



Germanischer Lloyd



Description

The Heavy Duty pressure gauges with glycerine filling are used at measuring points with high dynamic alternating loads and strong vibrations and pulses.

The glycerine filling ensures smooth pointer movement and thus good readability even in extreme load and strong vibration conditions. The lubricating effect of the glycerine also provides protection against increased wear.

The modern modular construction system with an o-ring sealing system, tried and tested for many years, ensures a high level of functional safety and a long service life.

Case components are composed of stainless steel.

Features

- o High reliability and long service life due to modular construction system
- o Overload capacity 1.3x
- o Protection to IP 65
- o Accuracy class 1.0
- o Casing, stainless steel
- o Copper alloy measuring system
- o Vibration-free display

Measuring ranges


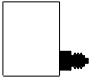
0 ... 0.6 bar to 0 ... 1000 bar

Applications

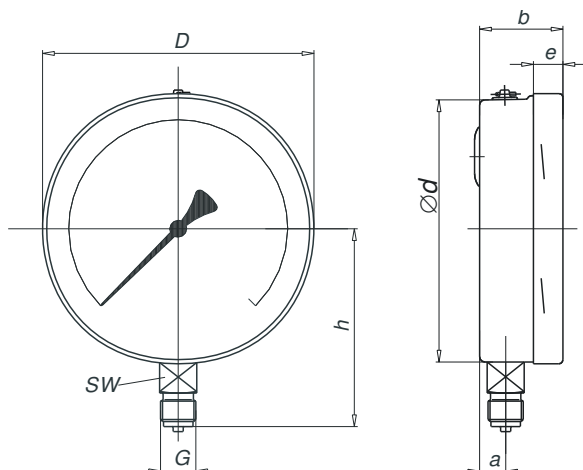
iron and steel industry, power stations,
general mechanical engineering, pumps, hydraulics,
compressors, water treatment plants.

Models: P1778, P1779

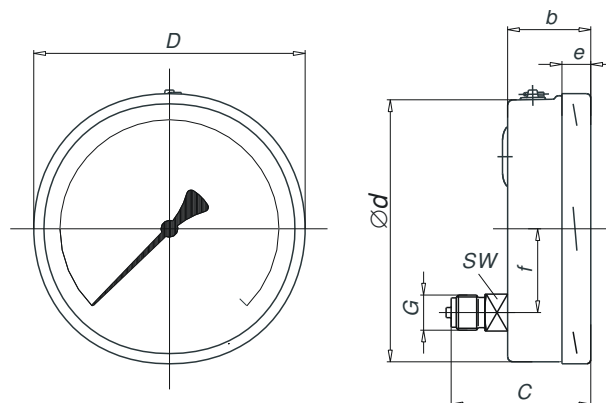
Technical data

Models	P1778	P1779	Options
Nominal size	100		
Symbol			
Accuracy class	1.0 to EN 837-1		
Ranges	0...0.6 bar to 0...1000 bar negative or positive or negative/positive gauge pressure		
Applications	Constant load: up to full scale value Dynamic load: up to 0.9 x full scale value short-time: overload capacity 1.3 x		1.5 to 2 x
Case	Stainless steel 1.4301 with pressure relief opening		Stainless steel, polished
Bezel	bayonet ring, stainless steel 1.4301		Steel, black
Mounting	without		Front flange, ss 1.4301 polished Rear flange stainless steel 1.4301, blank Triangular bezel, ss polished with U-clamp steel zinc plated
Window	Glass lens		Safety glass, Plexiglass
Dial	Aluminium, white, scale and imprint black		Dual scale
Pointer	Aluminium, black		Drag pointer
Movement	CuZn-alloy		
Measuring element	Copper alloy up to <100 bar, above ≥100 bar stainless steel 316 L		
Pressure connection	Copper alloy up to 1000 bar		
- position	radial bottom	rear eccentric	
- thread	G 1/2 B		Other threads on request
Temperatures			
- Medium	Tmin. -20°C, Tmax. 80°C		
- Ambient	Tmin. -20°C, Tmax. 60°C		
Temperature drift	0.4%/10K if deviation from normal temperature 20°C		
Liquid filling	Glycerine		Others on request
Protection	IP 65 to EN 60 529/IEC 529		
Throttle	without		ø 0.3 ; ø 0.4 ; ø 0.8
Weight	0.9 kg	0.9 kg	

Dimensions

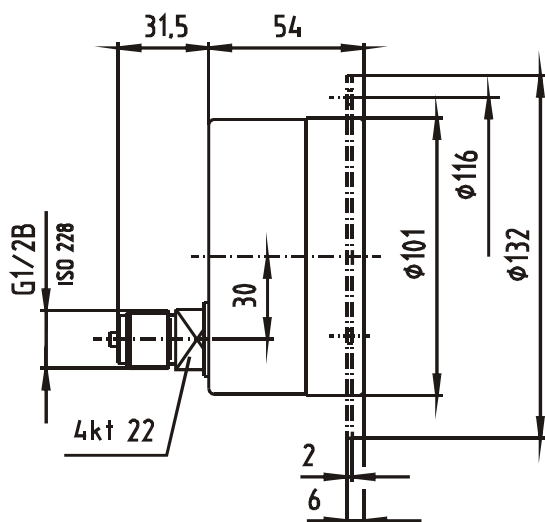


Model : P1778

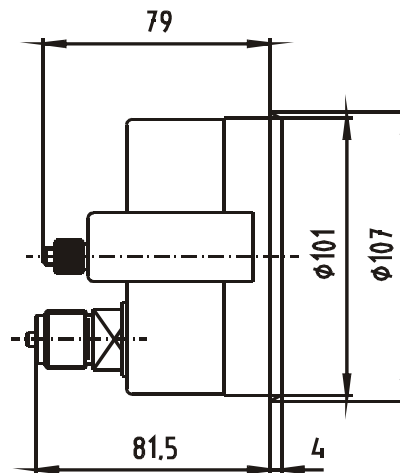


Model : P1779

Model	Dimensions in mm										
	ND	a	b	C	D	Ød	e	f	G	h	SW
P1778	100	17.7	54	--	101	99	16.7	--	G 1/2 B	87	22
P1779	100	--	54	85.5	101	99	16.7	30	G 1/2 B	--	22



Model P1779 with front flange



Model P1779 with triangular bezel and with U-clamp