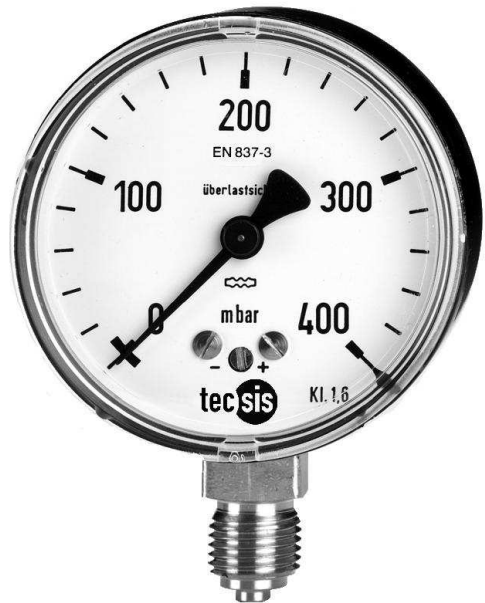


## Heavy Duty pressure gauges with capsule element

Nominal sizes ND 63 and 80

Connection position bottom, radial or back, central



### Description

The Heavy Duty pressure gauges with capsule element are used to measure small positive/negative gauge pressures in gaseous media. The capsule element system consists of two capsule element halves soldered together. When subjected to pressure, the capsule element moves a predetermined distance. This travel is converted by a movement into the rotary motion of the pointer.

The gauges can be supplied with a cover ring, triangular front ring or mounting flange as required for the installation conditions. The casings are available in steel or stainless steel.

### Features

- o High reliability and long service life
- o Overload protection up to 10 x
- o Zero adjustment
- o Accuracy class 1.6
- o Casing, steel or stainless steel
- o Copper alloy measuring system

### Measuring ranges

0...16 mbar to 0...600 mbar

### Applications

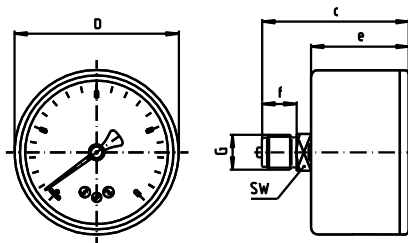
Pharmaceutical industry; laboratory applications, Filter status monitoring; furnace monitoring; exhaust gas measurements, vacuum measurements, gas generation; air-conditioning.

**Models: P1553, P1554, P1557, P1558**

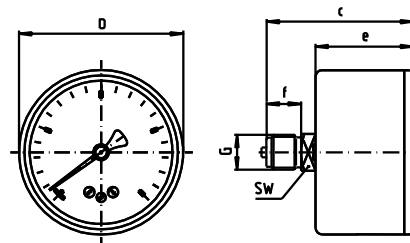
## Technical data

| Model                                 | P1553   | P1554  | P1557   | P1558  | Options   |
|---------------------------------------|---|--------|---|--------|---|
| Nominal size                          | 63  |        | 80  |        |   |
| Symbol                                |   |        |   |        |   |
| Accuracy class                        | 1.6 to EN 837-3   |        |   |        |   |
| Ranges                                | 0...40 mbar to 0...600 mbar<br>negative or positive or negative and positive gauge pressure                                   |        | 0...16 mbar to 0...600 mbar<br>negative or positive or negative and positive gauge pressure |        |   |
| Application                           | Constant load up to full scale value<br>Alternating load: up to 0.9 x full scale value<br>short time: overload capacity 1.3 x |        |   |        | Overload protection<br>up to 10x of full scale<br>value |
| Case                                  | Steel, black finish   |        | Stainless steel   |        | Stainless steel 1.4301                                  |
| Bezel                                 | none  |        |   |        | Steel, black  |
| Window                                | Plexiglass  |        |   |        |   |
| Dial                                  | Aluminium, white, scale and imprint black   |        |   |        | Dual scale  |
| Pointer                               | Aluminium, black  |        |   |        | Marker pointer  |
| Movement                              | CuZn-alloy, with zero adjustment  |        |   |        |   |
| Measuring element                     | Copper alloy  |        |   |        |   |
| Pressure connection<br>- position     | radial<br>bottom  |        | back<br>central   |        |   |
| - thread                              | G 1/4 B   |        | G 1/2 B   |        | Other threads on request                                |
| Temperatures<br>- Medium<br>- Ambient | Tmin. -20°C, Tmax. 80°C<br>Tmin. -20°C, Tmax. 60°C  |        |   |        |   |
| Temperature drift                     | 0.6% / 10K if deviation from normal temperature 20°C  |        |   |        |   |
| Protection                            | IP 43 to EN 60 529/IEC 529  |        |   |        |   |
| Orifice                               | without   |        |   |        | ø 0.3 ; ø 0.4 ; ø 0.8                                   |
| Weight approx.                        | 0.3 kg  | 0.3 kg | 0.5 kg  | 0.6 kg |   |

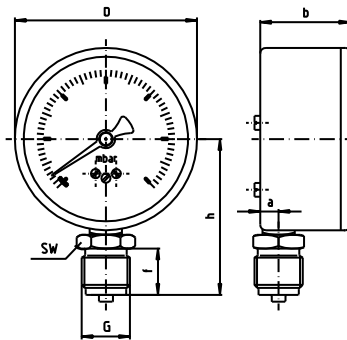
## Dimensions



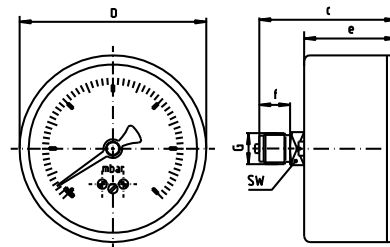
Model: P1554



Model: P1554



Model: P1557



Model: P1558

| Model        | Dimensions in mm |         |       |       |       |       |         |         |       |    |
|--------------|------------------|---------|-------|-------|-------|-------|---------|---------|-------|----|
|              | ND               | a ± 0.5 | b ± 1 | c ± 1 | D ± 1 | e ± 1 | f ± 0.5 | G       | h ± 1 | SW |
| P1553, P1554 | 63               | 9.5     | 40    | 55.5  | 62    | 37    | 13      | G 1/4 B | 51    | 14 |
| P1557, P1558 | 80               | 8.0     | 39    | 58    | 79    | 39    | 20      | G 1/2 B | 67.5  | 22 |

Modifications reserved