

## Heavy Duty pressure gauges with diaphragm system

Nominal sizes ND 60 and ND 80

Connection position bottom, radial or back, central



Model P1571, P1582



Model P1580

### Description

The Heavy Duty pressure gauges with diaphragm system are particularly suitable for measuring jobs where strong mechanical vibrations or pressure pulsed may arise. They comply with the accident prevention regulation on compressors (VBG 16) and thus fulfil the safety requirements of EN 837-3.

The annular fitted measuring element (diaphragm) is considerably less sensitive to pressure pulsed, vibrations and shock than other measuring elements. Furthermore, diaphragm systems have a relatively large actuating force to activate the pressure display even at low pressures.

The gauges are designed and manufactured on the basis of a modular construction system, associated with increased reliability and extended service life.

Heavy Duty pressure gauges with diaphragm systems are thus products which are designed especially for use in harsh conditions.

### Features

- o High reliability and long service life due to modular construction system
- o Insensitive to pressure pulses and mechanical vibrations
- o High level of shock resistance
- o Complies with safety requirements of EN 837-3
- o Overload capacity, 1.3x
- o Protection IP 54
- o Stainless steel casing

### Measuring ranges

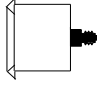

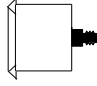
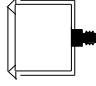
0 ... 1 bar to 0 ... 40 bar

### Applications

Compressors, turbo chargers, hydraulics, pumps, automotive engineering and general mechanical engineering

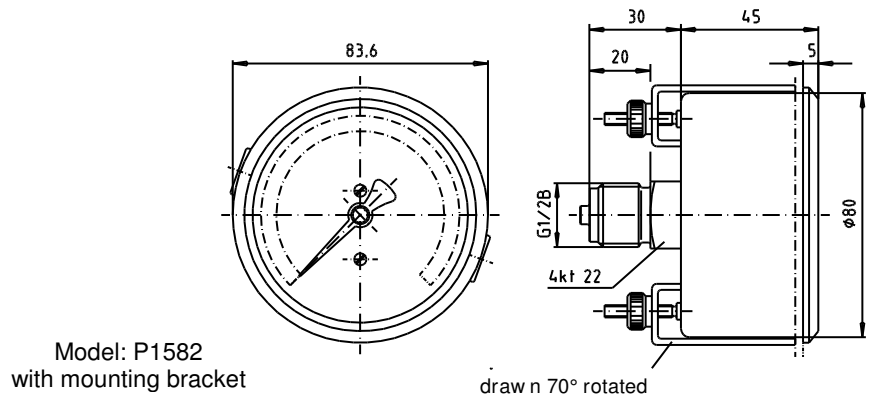
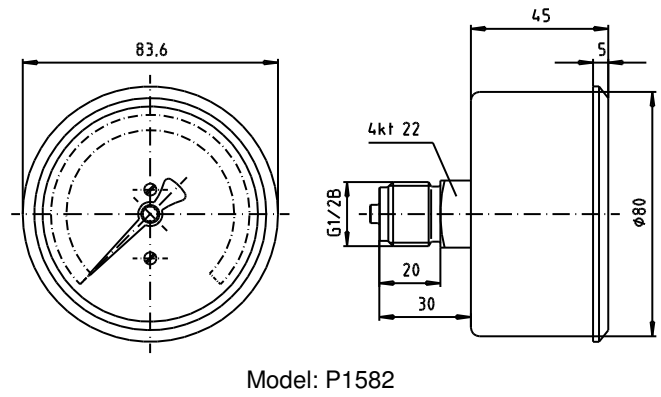
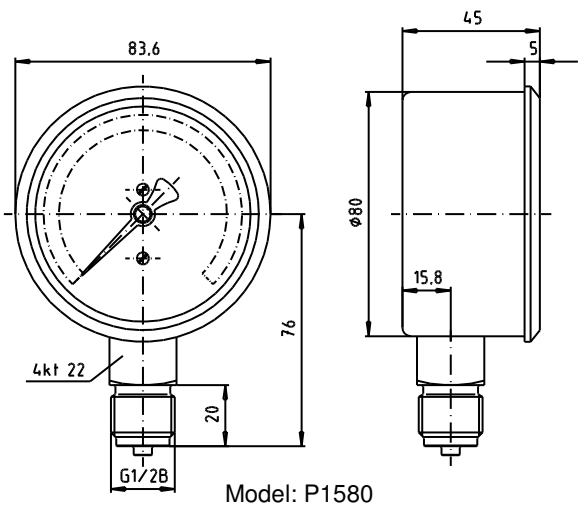
Models: P1571, P1580, P1582

## Technical data

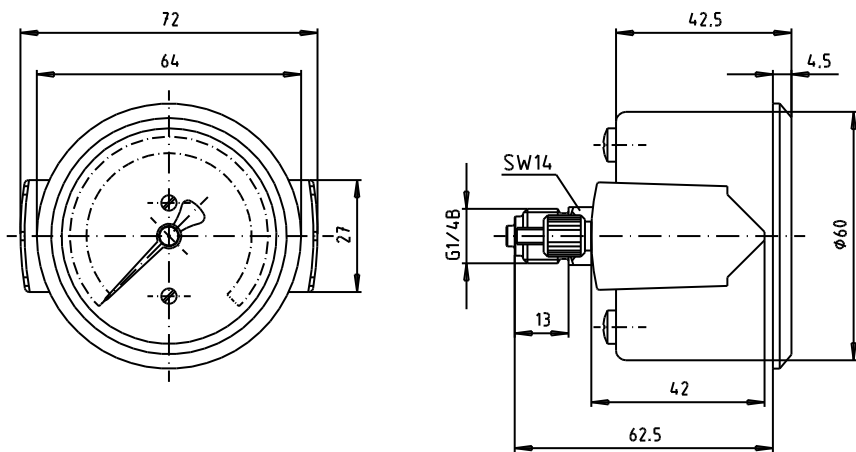
Models	P1571	P1580	P1582		Options	
Nominal size	60		80			
Symbol						
Accuracy class	2.5 to EN 837-3					
Ranges	0...1 bar to 0...40 bar negative or positive or negative and positive gauge pressure					
Application	Constant load: up to full scale value Alternating load: up to 0.9 x full scale value short-time: overload capacity 1.3 xh					
Case	Stainless steel 1.4301					
Bezel	Triangular bezel, brass chrome-plated	Triangular bezel, stainless steel 1.4301			polished, black	
Mounting bracket	steel, galvanized	without	without	steel, galvanized		
Window	Plastic, trogamid <sup>®</sup>				Laminated safety glass, PMMA (acrylic glass)	
Dial	Aluminium, white; scale and imprint black				Dual scale	
Pointer	Aluminium, black				Aluminium, white	
Movement	CuZn alloy					
Measuring element	Copper alloy					
Pressure connection	Copper alloy					
- position	back	radial	back			
- thread	central G 1/4 B	bottom	central G 1/2 B			
						Other threads on request
Temperatures	Tmin. -20°C, Tmax. 80°C					
- Media	Tmin. -25°C, Tmax. 60°C					
- Ambient						
Temperature drift	0.5 %/10K if deviation from normal temperature 20°C					
Protection	IP 54 to EN 60 529/IEC 529				IP 65 (only for model P1582)	
Throttle	without				Brass / ø 0.3 ; ø 0.4 ; ø 0.8	
Weight approx.	0.380 kg	0.470 kg	0.550 kg			

Trogamid<sup>®</sup> is the the registered trade mark of the company Evonik

# Dimensions



## Model P1571



Modifications reserved