

## Heavy Duty pressure gauges with diaphragm system

to DIN 14 421 for fire-fighting pumps

Nominal sizes ND 80

Connection position bottom, radial or back, central



### Description

The Heavy Duty pressure gauges with diaphragm system are used at measuring points with high dynamic alternating loads and strong vibrations and pulses.

They comply with DIN 14 421 -pressure gauges for fire-fighting pumps.

These pressure gauges are used in fire-fighting pumps to DIN 14 420.

The gauges are designed on the basis of a modular construction system and ensure a high level of functional safety and a long service life.

### Features

- o High reliability and long service life due to modular construction system
- o Insensitive to pressure pulses and mechanical vibrations
- o High level shock resistance
- o Overload capacity, 1.3 x
- o Protection IP 54
- o Stainless steel casing

### Measuring ranges



0...25 bar or - 1...0...25 bar

### Applications

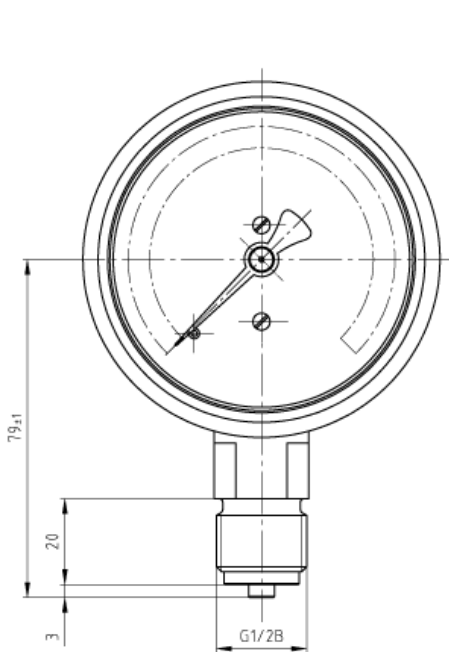
Fire-fighting pumps,  
plant construction

**Models: P1581, P1589**

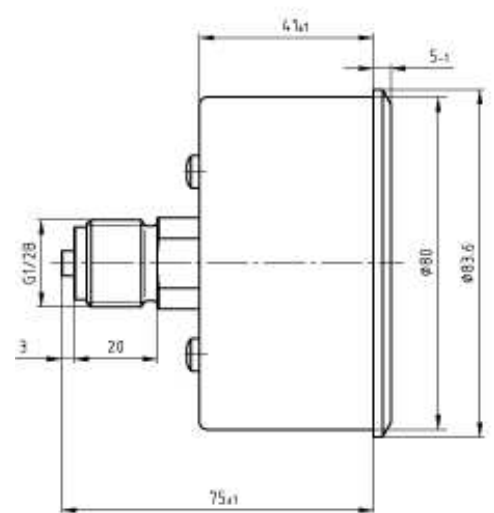
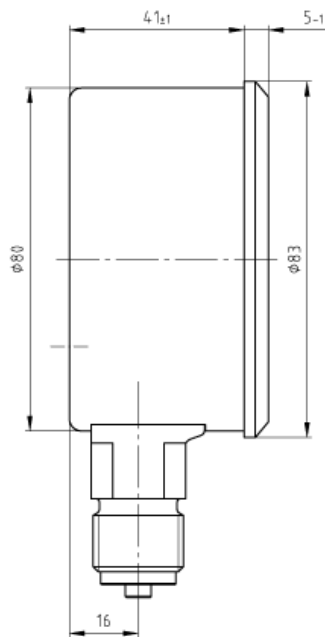
## Technical data

Models	P1581	P1589	Options
Nominal size	80		
Symbol			
Accuracy class	2.5 acc. to EN 837 - 3		
Ranges	-1...0...25 bar or 0...25 bar		
Application	Constant load: up to full scale value Alternating load: up to 0.9 x full scale value short-time: overload capacity 1.3 x		
Case	Stainless steel, 1.4301		
Bezel	retaining front bezel, stainless steel		retaining front bezel, Al black <u>Only for model P1589:</u> retaining front bezel, with bracket front flange, stainless steel
Window	Polyamid		
Dial	Aluminium, white, scale and imprint black		Dual scale
Pointer	Aluminium, black		
Movement	CuZn-alloy		
Measuring element	Copper alloy		
Pressure connection	CuZn-alloy	Back central	Nickel-plated
- position	Radial bottom		
- thread	M20 x 1.5 or G 1/2 B		Other threads on request
Temperatures			
- Medium	Tmin. -20°C, Tmax. 80°C		
- Ambient	Tmin. -25°C, Tmax. 60°C		
Temperature drift	0.5 %/10K if deviation from normal temperature 20°C		
Protection	IP 54 to EN 60 529/IEC 529		IP 65 (BR P1599)
Throttle screw	Copper alloy, M4 x ø 0.8		Other throttle screws on request
Weight approx.	0.480 kg	0.560 kg	

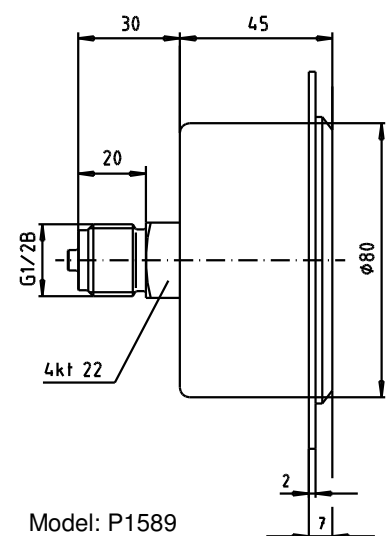
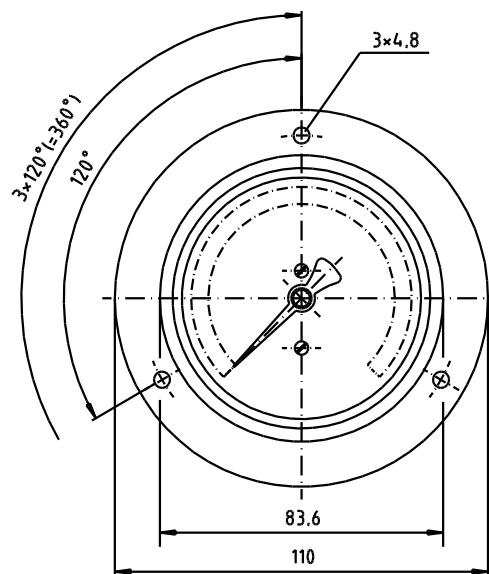
## Dimensions



Model: P1581



Model: P1589



Model: P1589

Modifications reserved