

Heavy Duty pressure gauges with Bourdon tube and glycerine filling

Nominal size ND 80

**Connection position bottom, radial
or back, central**



Description

Pressure gauges of the comprehensive Heavy Duty range are manufactured on the basis of the modular construction system which brings advantages of quality and price. The gauges can be used in all applications where particular importance is attached to measuring accuracy, reproducibility and long-term stability. They can be used with liquid or gaseous media which are not highly viscous and which do not attack copper alloys or crystallize. A wide range of options enables the user to adapt the gauges to his own special requirements.

All Heavy Duty pressure gauges comply with general international recommendations for measuring systems and take requirements for specific applications and technical standards into consideration (acc. to EN837-1).

Panel mounting is facilitated by the central connecting pin at the back.

Pressure gauges with glycerine filling are especially used at measuring points with high dynamic alternating loads and strong vibrations and pulses.

Special features

- o High reliability and long service life due
- o Casing, Stainless steel 1.4301 (AISI 304)
- o Accuracy class 1.0
- o Copper alloy measuring system
- o Overload capacity 1.3 x
- o Protection to IP 65
- o Connection position bottom, radial or back, central

Measuring ranges

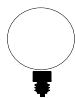
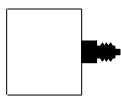
- 0,06...0 bar
- 1...15 bar
- 0...1000 bar

Applications

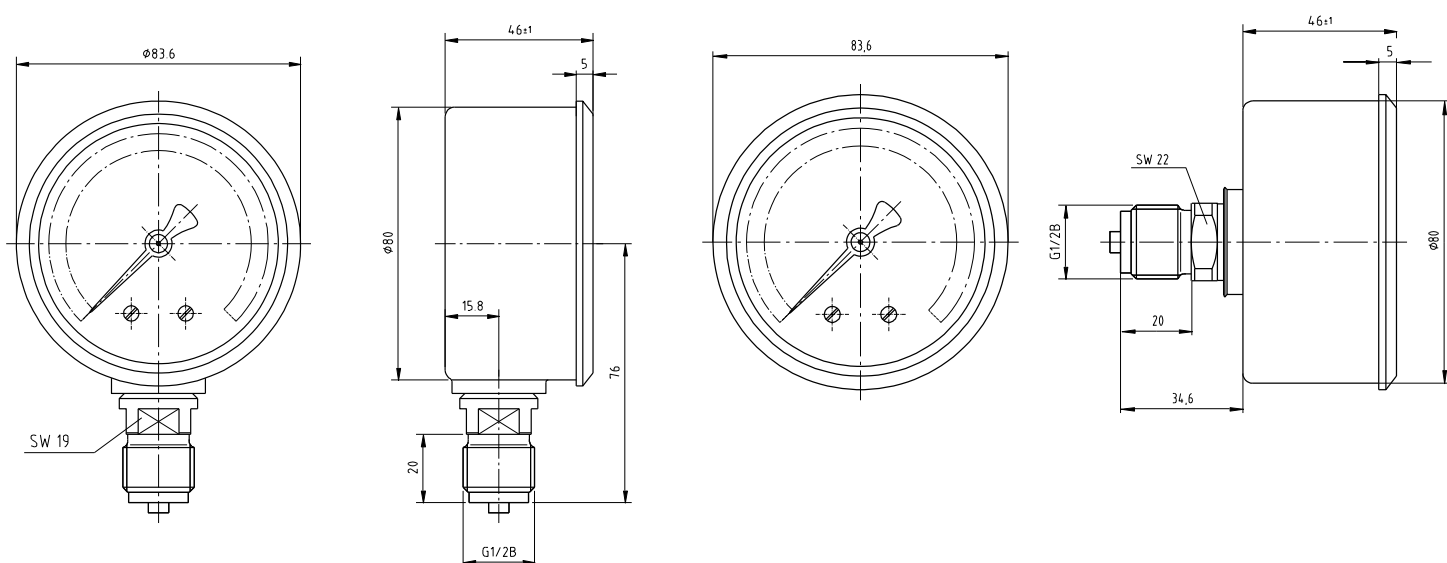
Mechanical engineering and apparatus construction
Automotive engineering,
Hydraulics and compressors,
Water treatment plants and pumps.

Model: P1764, P1768

Technical data

Model	P1764	P1768	Optionen
Nominal size	80		
Symbol			
Accuracy class	1,0 to EN 837-1		
Ranges	-0,06...0 bar, -1...15 bar, 0...1000 bar negative or positive and negative/positive gauge pressure		
Application	Constant load: up to full scale value Alternating load: 0.9 x of full scale value short-time: overloadable 1.3- x	1,5 to 2-x	
Case	Stainless steel 1.4301	Stainless steel, polished	
Bezel	Triangular bezel, stainless steel 1.4301 polished		
Mounting			Front flange / rear flange
Window	Plastic, Trogamid	Glass lens, Plastic Makrolon	
Dial	Aluminium white, scale and imprint black		Dual scale
Pointer	Aluminium black		Drag pointer
Movement	CuZn - alloy		Plastic bearing and teeth; Manocont
Measuring element	Cu alloy up to 40 bar, above 40 bar stainless steel		
Pressure connection - position - thread	CuZn alloy radial bottom G 1/2 B	back, central	Other threads on request
Protection	IP 65 to EN 60 529/IEC 529		
Temperatures - Medium - Ambient	Tmin. -20°C , Tmax. 80°C Tmin. -25°C , Tmax. 60°C		
Temperature drift	0.3 %/10K if deviation from normal temperature + 20°C		
Orifice			ø 0,3 ; ø 0,4 ; ø 0,8
Liquid filling	glycerine		Silicone; other threads on request
Weight approx.	0,580 kg	0,600 kg	

Dimensions



Subject to technical alternations