

## Pressure gauges with Combined Unit System acc. to DIN 38030

Accuracy class 1.0 and 1.6

Nominal size: ND 60, 80 and 100



### Description

The pressure gauges built with combined unit system (consisting of measurement system, movement and dial) are especially designed for applications with highest demands on pressure measurement like vehicles with pneumatic brakes. They have been developed especially for railway vehicles; but they are also suitable for buses or trucks. Using stainless steel for the housing leads to a good resistance against environmental influences. The measurement system made of a special copper alloy ensures a very good long term stability even at high load cycle conditions.

In all versions the dials are illuminated glare-free by a special light conductor.

The illumination of the dial is made either indirectly via slots in the housing or directly via bulb or LED in socket BA9s.

For special applications illuminating foils, stimulated by a converter, are used.

The special design of measuring system, dial and movement as a combined unit system ensures ease of installation in any application.

### Features

- stainless steel case,
- protection class IP 43,
- accuracy class 1.0 and 1.6
- for use up to full scale value,
- 1.3 x overload range,
- measurement system of high quality copper alloy

### Measuring ranges

- 0 ... 6 bar,
- 0 ... 10 bar,
- 0 ... 12bar,
- 0 ... 16 bar

### Applications

Railway vehicles with air pressure brakes,  
trucks and buses with air pressure brakes

Model: P1538, P1010, P1011

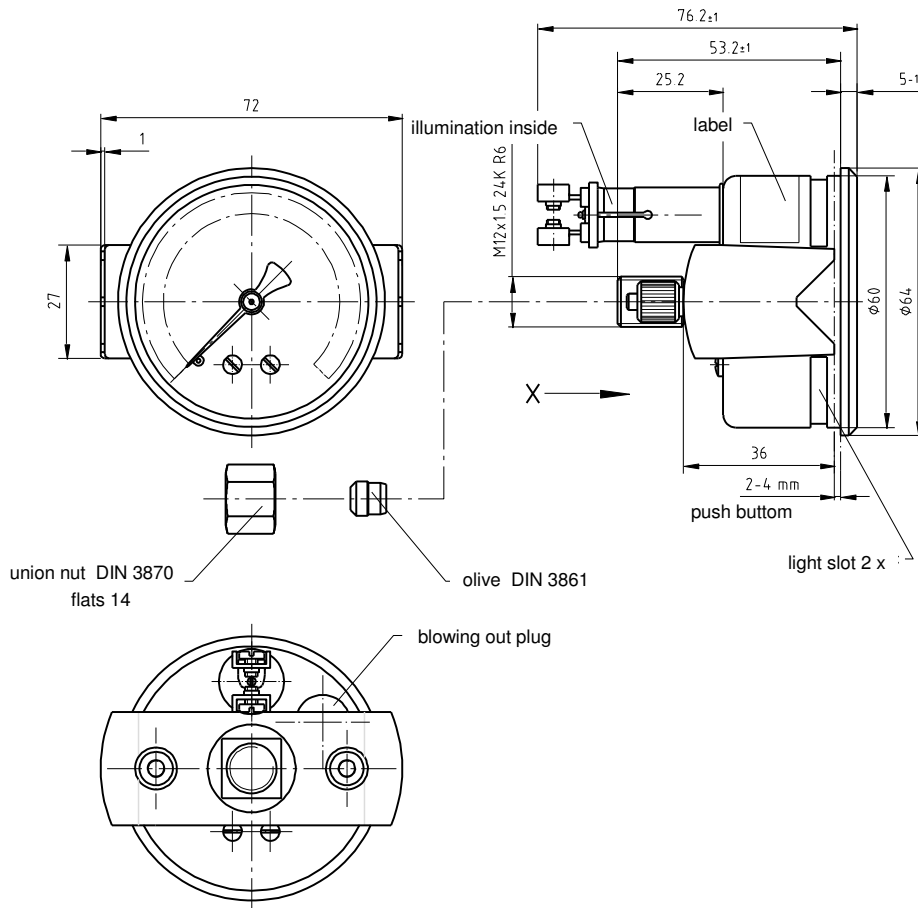
## Technical Data

Model	P1538	P1010	P1011	options
Nominal size	60	80	100	
				
Accuracy class	1.6 to EN 837-1		1.0 to EN 837-1	
Range	0 ... 6 bar, 0 ... 10 bar, 0 ... 12bar and 0 ... 16 bar			
Application	fluctuating working pressure to full scale value			
Overpressure protection	1.3 x , short time			
Case	Stainless steel 1.4301, polished pressure relief (with rubber cover closed)			
Lightning	Indirectly via light slots, just above bulb 24 V 3 W (ND 60 24V 2 W)			4-fold LED luminous foil <sup>1)</sup>
Bezel	Aluminium, black			triangular bezel, stainless steel polished
Mounting	One piece fixing brakes, steel galvanized			
Window	Laminated safety glass, reflection-reduced			PMMA
Dial	Aluminium, black, scale and imprint white			Aluminium white, dual scale
Pointer	Aluminium, white or yellow – RAL to DIN 38030			Other pointer on request
Movement	brass			
Measurement element	Bourdon tube of copper alloy			
Connection - position	brass back			
- thread	M12x1,5 R6 24°K	M16 x 1,5 R10 24° K	M16 x 1,5 R10 24° K	Other threads on request
Protection class acc. to EN 60 529/IEC 529	IP 43	IP 43	IP 43	
Throttle	Ø 1-0,2 mm			Ø 0,3mm, Ø0,6 mm
Temperatures - Medium - Ambient	Tmin. -20°C, Tmax. 60°C Tmin. -25°C, Tmax. 80°C			
Weight	0,20 kg	0,45 kg	0,55 kg	

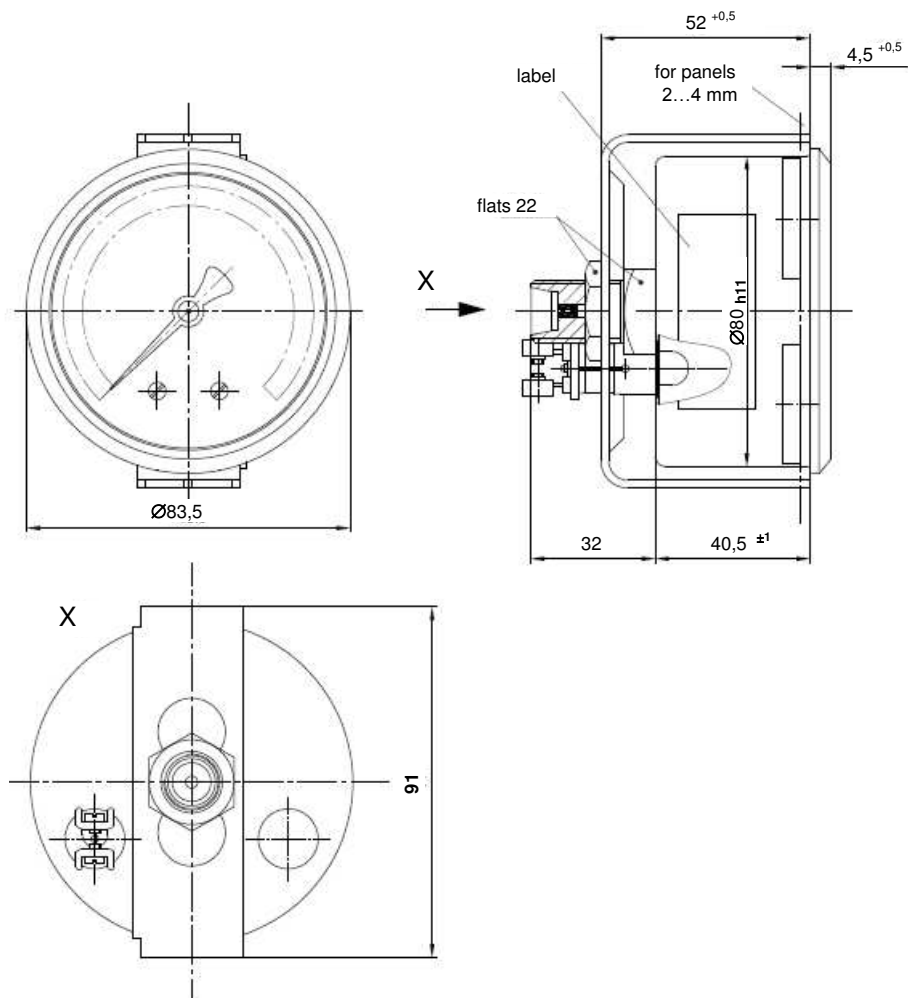
<sup>1)</sup> In the case of lighting over luminous foil, a voltage converter EZE06X002001 is required.  
For more information see data sheet DE1251.

## Dimensions

### Model P1538

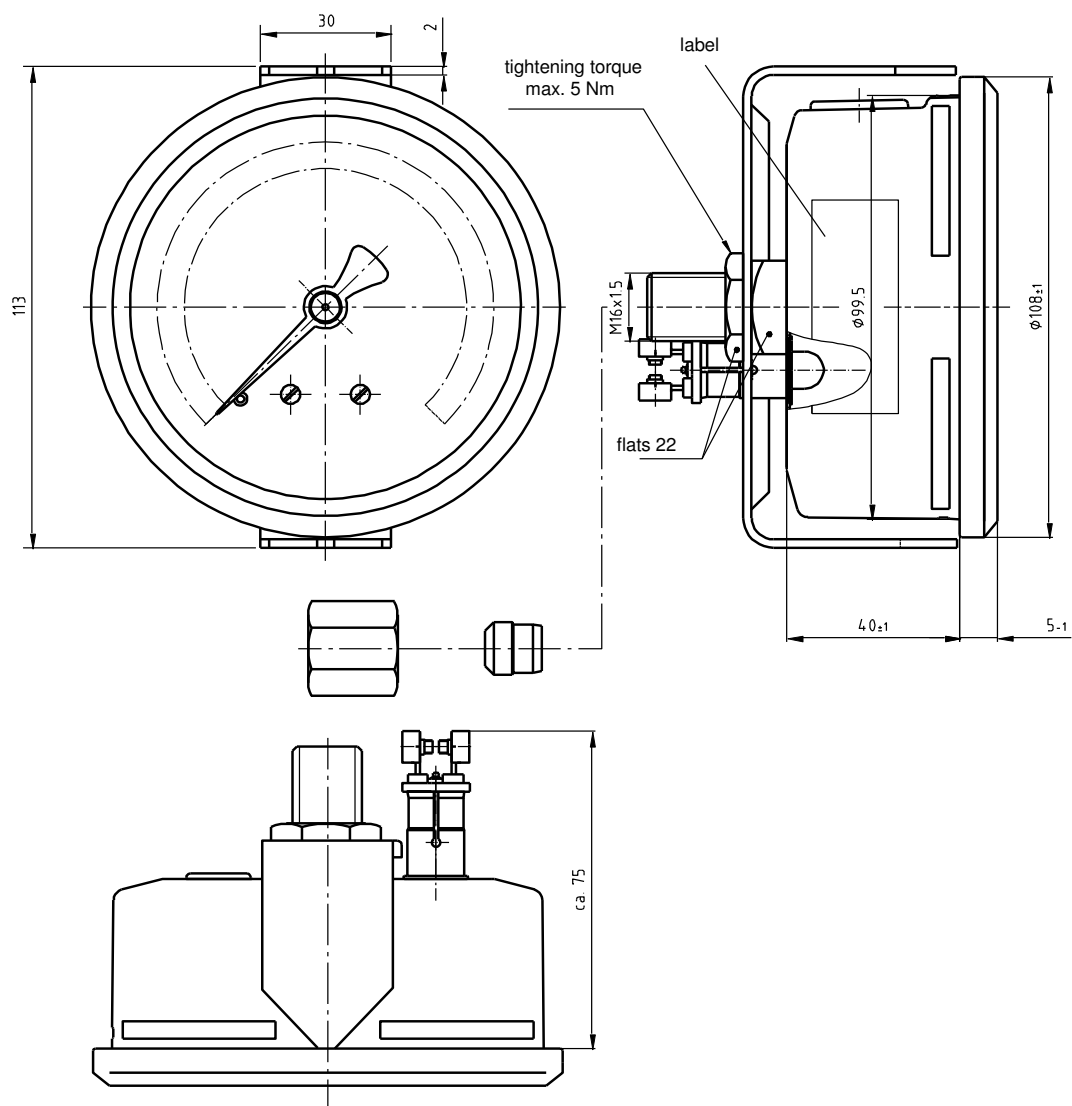


### Model P1010



## Dimension

### Model P1011



Modifications reserved