

Differential pressure measuring instruments with magnetic piston and compression spring

with or without electric contact device

Nominal size ND 80



Description

These differential pressure measuring instruments with magnetic piston take the conditions experienced in use into full consideration and meet the demands set in the gas, water and air supply sectors and for the treatment of such media.

These measuring instruments are suitable for liquid and gaseous media in so far as these are not highly viscous and do not crystallise. Moreover, they must not contain magnetic material.

Differential pressure measuring instruments with electric contacts are suitable for controlling and regulating process sequences by means of the given process pressure.

Function

The magnetic piston separates the measured media chambers \oplus and \ominus in which the different pressure ratios are given. The magnetic piston moves axially and supports itself on the measuring range spring due to the different pressure ratios (differential pressure). A ring magnet is provided on the instrument pointer which follows the magnetic piston so that each position of the piston is allocated to a defined pointer position.

The constructive design allows complete mechanical separation of the measuring system from the display and prevents any leakage to the outside.

The flow from the \oplus to the \ominus measured media chamber is minimal in volume because of the constructive design and does not interfere in normal applications.

A fine filter is to be provided in front of the \oplus measured media chamber in the case of measured media containing a high proportion of floating particles.

Special features

- Measuring cell in corrosion-resistant material, high grade stainless steel
- Static pressure and overloading to 100 bar, optionally to 250 or 400 bar
- Contact device can be fitted in retrospect on the site
- Fastening bezel replaceable on the site
- Compact version, easy fitting

Measuring ranges


0....400 mbar to 0....10 bar

Applications

Filter plants, pipeline systems, valve and pump monitoring, gas, water and air supply lines.

Model: P2600

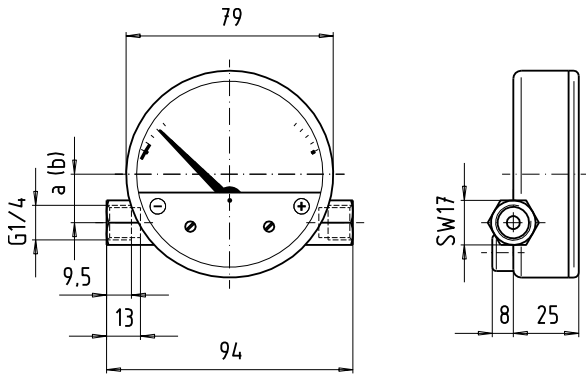
Technical data

Series	P2600	Options
Nominal size	80	
Type		
Type of contact/ Electrical output	without Reed contact	
Number of contacts	without 1 - 2	
Electrical connection	without Cable connector. 6 screw terminals + PE, cross section of the conducting wire 2.5 mm ² . Screw type conduit fitting M20x1.5.	Plug connector ²⁾
Accuracy class	3.0 % of end scale value, related to increasing differential pressure	
Display ranges	0 ... 400 mbar to 0 ... 10 bar	
Version	for max. total overpressure (static pressure) 100 bar	250 / 400 bar
Overloading	⊕ or ⊖ side, max. 100 bar	250 / 400 bar
Application range	Steady load: up to full scale value Alternating load: up to 0.9-fold to full scale value	
Case	Aluminium zink pressure casting, black	Fastening for wall mounting
Ring	without	Fastening bezel, front
Window	Acrylic glass, snap-fitting	
Dial	Aluminium, white scale: scale, outside black (bar) scale, red inside (psi)	
Pointer	Aluminium, black	Min. or max. drag pointer
Magnetic piston (in contact with measured media)	Piston, high grade stainless steel 1.4571 Magnet, barium ferrite	
Measuring element (in contact with measured media)	Compression spring, high grade stainless steel 1.4310	
Pressure connection	High grade stainless steel, 1.4571	Fine filter integrated at the bottom or back
- Position	Right and left, to the side and offset	
- Thread ³⁾	2x G 1/4 inner thread	Outer thread
Temperatures		
- Measured media	Tmin. -20°C, Tmax. 100°C	
- Ambient	Tmin. -20°C, Tmax. 60°C	
Type of enclosure	IP 54 to EN 60 529 / EC 529	

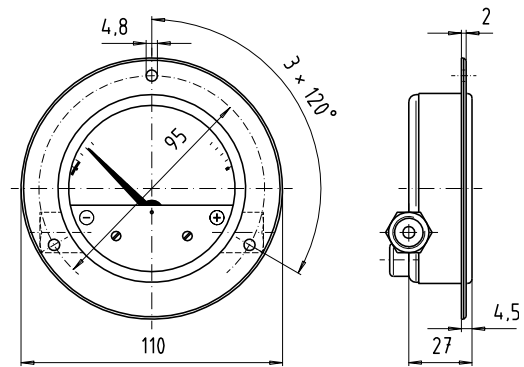
Dimensions

Model P2600

Standard version

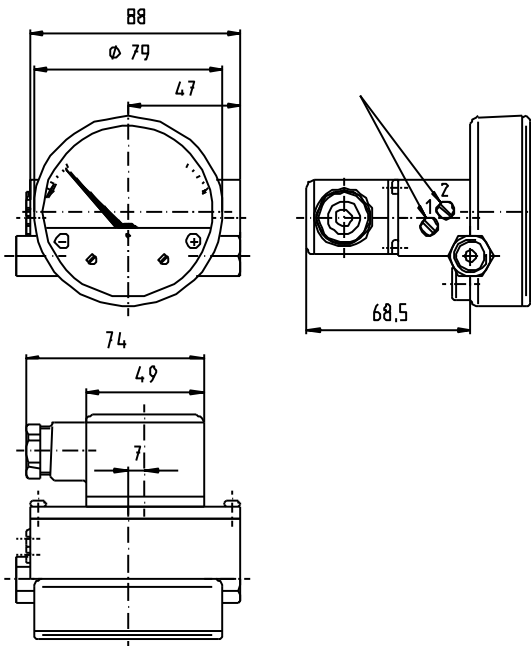


Version with front rim



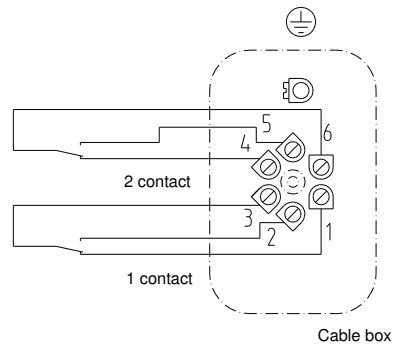
Model P2600

Version with reed contact (single and / or double changeover contact)



Switching point by means of adjustable spindle from the outside over a range of 10% to 100% of the full scale value.

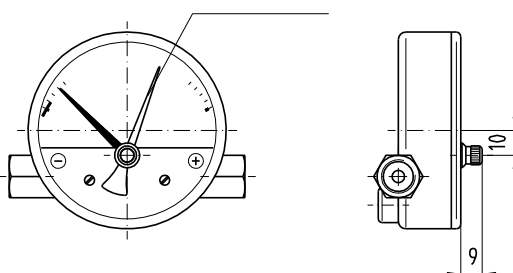
Max. switching voltage: 250 VDC/VAC 30VDC/VAC
 Max. switching capacity: 30W 5W
 Max. current: 1A 0.5A
 Switching reverse voltage: 5% of full scale value



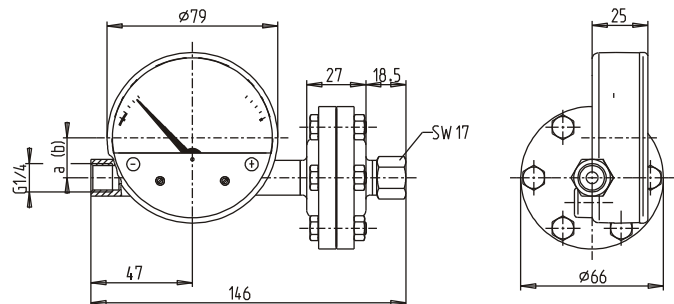
Connection diagram

Option (Series P2600 oder 2602)

Minimum or maximum drag pointer



Separation Diaphragm



Modifications reserved