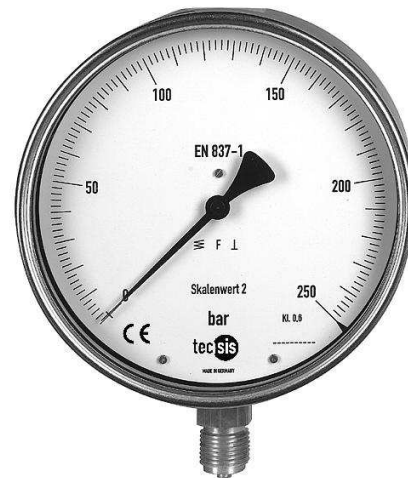


Precision test gauges according to EN 837-1 with Bourdon tube

Nominal size ND 160 mm
Connection position bottom radial or back eccentric
Accuracy class 0.6



Description

Our precision test gauges are manufactured to highest standards and are used to test pressure of tanks, pipes, fittings in laboratories and for quality assurance.

The precision gauges have a high-grade measuring element. The pressure proportional elastic deformation of this Bourdon tube is transmitted through a low friction movement to the knife edge pointer.

Test gauges are suitable for measuring of non-aggressive gaseous and liquid media, although this may not be too viscous or be susceptible to crystallization.

Accuracy can be proved by means of a calibration certificate acc. to DIN 55 350 part 18 type M against surcharge.

Special features

- o Modular construction system ensures high reliability and long service life
- o Accuracy class 0.6
- o Up to 1.3-fold overpressure capability
- o Window with glass lens

Measuring ranges

0 ... 0.6 bar up to 0 ... 1600 bar

Applications

Precision monitoring in processing plants, control and adjustment of pressure gauges, test equipment

Model: P1875, P1877

Technical data

Model	P1875	P1877	Options
Nonimal size (mm)	160		
Symbol			
Accuracy class	0.6 according to EN 837-1		Test certificate
Ranges	0 ... 0.6 bar up to 0 ... 1600 bar negative or positive / negative and positive gauge pressure		
Application	Static pressure : up to full scale value Dynamic pressure : up to 0.9 times full scale value 1.3 times max. rating, shortly		
Case	Stainless steel 1.4301		Back flange
Bezel	Stainless steel 1.4301		polished, front flange, Triangular ring
Mounting	Glass lens		Laminated safety glass
Dial	Aluminium white, scale markings black		Mirrored scale, zero point adjustment
Pointer	Knife edge pointer, aluminium, black		Max. indicating pointer, micro adjustment
Movement	Brass		
Measuring element	<100 bar Copper alloy / Bourdon tube / soft soldered ≥100 bar Stainless steel 1.4571 / helical tube / brazed ≥1000 bar NiFe-alloy / helical tube / welded		
Connection	<1000 bar brass; ≥1000 bar stainless steel 1.4571 - Location bottom back eccentric - Thread G 1/2 B		Other threads on request
Temperatures	- Media Tmin. -20°C , Tmax. 60°C - Ambient Tmin. -40°C , Tmax. 60°C		
Temperature drift	0.4 % / 10K deviation from normal temperature 20°C		
Protection	IP 54 according to EN 60 529/IEC 259		
Calibration medium ¹⁾	≤25 bar : gas , >25 bar : oil		≥ 2.5 bar : oil
Orifice			ø0.4 ; ø0.8
Approximate weight	1.1 kg	1.2 kg	

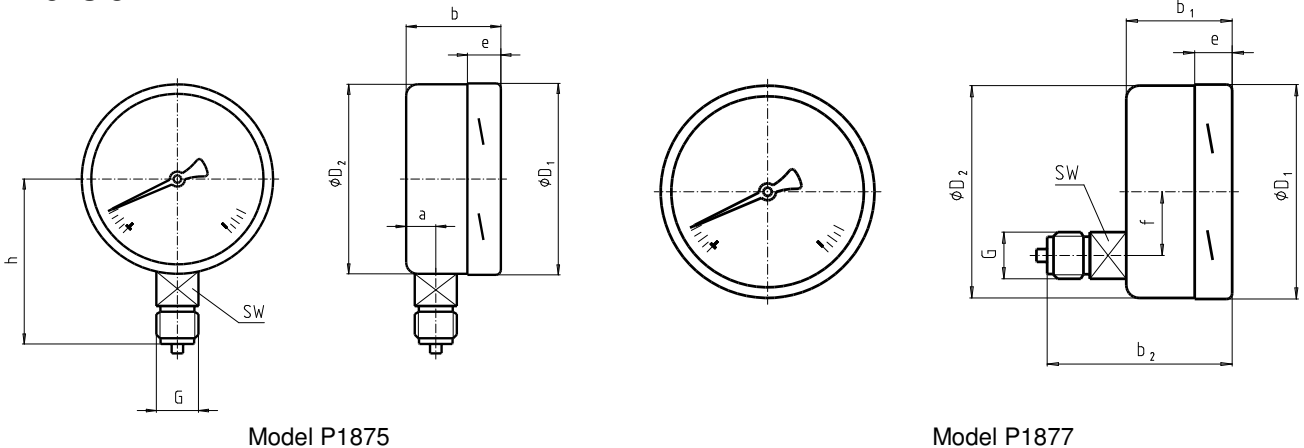
¹⁾ When ordering specify what medium is used, since, by changing the pressure-transmitting measured gas (G) or liquid (F) show changes can occur.

Accessory

Article-No.	Description
AZM49X090019	Attache case, black (dimensions: 320 x 300 x 110 - HxBxT)



Dimension



Models	Dimensions in mm										
	a	b	b1	b2	D1	D2	e	f	h ± 1	G	SW
P1875	15,5	49,5 ¹⁾	49,5 ¹⁾	83 ¹⁾	161	159	17,5	50	118	G 1/2 B	22
P1877											

¹⁾ For display areas ≤ 4 bar and ≥ 100 bar increases the level by 16 mm.

Modifications reserved