

Test gauges according to EN 837-1 all stainless steel with Bourdon tube

Nominal size ND 160 mm

Connection position bottom or back eccentric
with or without glycerine filling

Accuracy class 0.6 **Überschrift 2**



Description

Our Precision test gauges are manufactured to highest standards and are used to test pressure of tanks, pipes, fittings in laboratories and for quality assurance.

By using high quality materials such as stainless steel, as well for the measuring system and the case, the gauges are resistant against corrosive media and ag-gressive atmosphere.

The precision gauges have a high-grade measuring element. The pressure pro-portional elastic deformation of this Bourdon tube is transmitted through a low friction movement to the knife edge pointer.

Test gauges are suitable for measuring of non-aggressive gaseous and liquid media, although this may not be too viscous or be susceptible to crystallization.

Accuracy can be proved by means of a calibration certificate acc. to DIN 55 350 part 18 type M against surcharge.

Special features

- o Modular construction system ensures high reliability and long service life
- o Dampening by glycerine filling of case
- o Accuracy class 0.6
- o Up to 1.3-fold overload capacity
- o Case and measuring system of stainless steel
- o Complies to security requirements acc. to EN 837-1/ S3

Options / Measuring ranges



0 ... 0.6 bar up to 0 ... 1600 bar

Applications

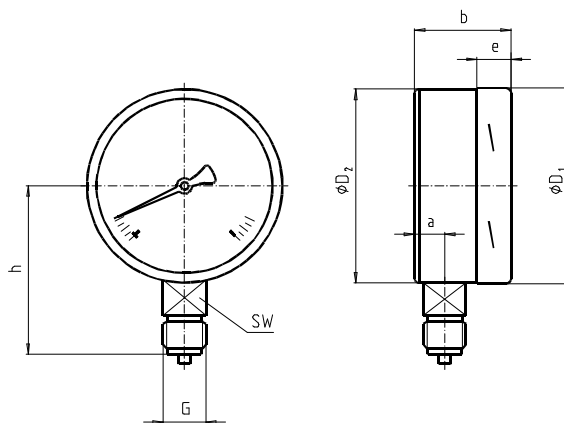
Precision monitoring in processing plants,
Control and adjustment of pressure gauges,
Test equipment

Model: P1880, P1882

Technical data

Models	P1880	P1882	Options
Nominal size (mm)	160		
Symbol			
Filling	none	Glycerine	
Accuracy class	0.6 according to EN 837-1		Test certificate
Ranges	0 ... 0.6 bar up to 0 ... 1600 bar 0 ... 1 bar up to 0 ... 1600 bar Negative or positive /negative and positive gauge pressure		
Application	Static pressure: up to full scale value Dynamic pressure: up to 0.9 times full scale value 1.3 times max. rating, shortly		
Case	Stainless steel 1.4571, with blow-out back, solid front		
Bezel	Stainless steel, 1.4571, bayonet ring		Front flange polished
Window	Laminated safety glass		
Dial	Aluminium white, scale markings black		Dual scale
Pointer	Knife edge pointer, aluminium, black		Max. indicating pointer, micro adjustment
Movement	Stainless steel		
Measuring element	Stainless steel 1.4571 <100 bar Bourdon tube, ≥100 bar helical tube NiFe - alloy ≥1000 bar helical tube		
Connection - Location - Thread	Stainless steel 1.4571 bottom G 1/2 B		Other threads on request
Temperatures - Media - Ambient	Tmin. -20°C, Tmax. 100°C Tmin. -20°C, Tmax. 60°C	Tmin. -20°C, Tmax. 60°C Tmin. 0°C, Tmax. 60°C	BR.P1880 / 200°C
Temperature drift	0.3 % / 10K deviation from normal temperature 20°C		
Protection according to EN 60 529/IEC 259	IP 54	IP 65	
Calibration medium	≤25 bar: gas, >25 bar: oil		≥ 2.5 bar : oil
Orifice			ø0.4 ; ø0.8
Approximate weight	1.5 kg	3.0 kg	

Dimensions



Baureihe: P1880/P1882

Models	Dimensions [mm]							
	a	b	D1	D2	e	h ±1	G	SW
P1880 / P1882	24	58 ¹⁾	161	160	17.5	118	G 1/2 B	22

¹⁾ 75.5 mm with pressure ranges ≥100 bar

Modifications reserved