

## Precision test gauges with Bourdon tube in carrying case

Accuracy class 0.6 acc. to EN 837-1

Nominal size ND 160

Connection position side at 3 o'clock



### Description

Our precision test gauges are used to test pressure of tanks, pipes and fittings by official test and surveillance institutions.

The precision test gauges have a high grade measuring element. The pressure proportional elastic deformation of this Bourdon tube is transmitted through a low friction movement to the knife edge pointer. The connection is fitted with a shut-off valve with test connection and quick connection M 20 x 1.5.

The gauges are suitable for measuring of liquid and gaseous media, also this may not be too viscous or be susceptible to crystallization.

The precision test gauges are supplied with several span sleeves and certificate in a carrying case.

### Features

- o Several span sleeves
- o Accuracy class 0.6
- o Overload capacity 1.3 times
- o Test certificate

### Ranges

0 ... 0,6 bar to 0 ... 600 bar

### Applications

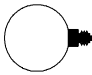
Pressure test of tanks, pipes and fittings, plant construction, research and development

### Accessories

- 1 field service case 270x180x135 mm,
- 1 LH / RH union M20x1.5 DIN 16 283,
- 1 adaptor M20x1.5 male/flange  
60x25x10 to fit round test flange,
- 2 sets nuts and bolts M 8,
- 2 spacer 14x 8,
- 1 point-to-point calibration certificate

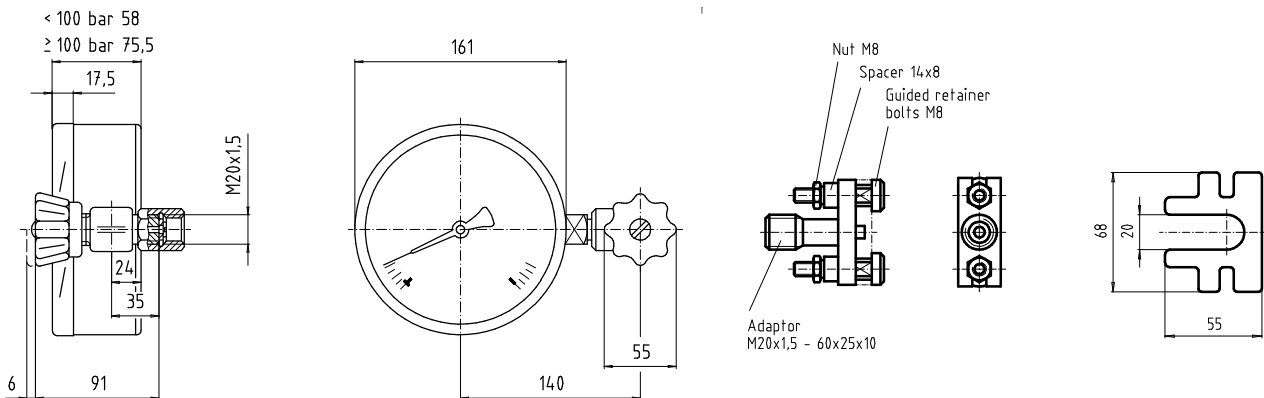
**Model: P1870**

## Technical data

Models	P1870	Options
Nominal size	160	
Symbol		
Accuracy class	0.6 to EN 837-1	
Ranges	0 ... 0.6 bar to 0 ... 600 bar negative or positive / negative and positive gauge pressure	
Application	Constant load: up to full scale value Alternating load: up to 0.9 x full scale value short-time: 1.3 x full scale value	
Case	Stainless steel 1.4301 with blow-out back and solid front	
Bezel	Stainless steel 1.4301 bayonet ring	
Window	Laminated safety glass	
Dial	Aluminium white, scale and imprint black	
Pointer	Knife edge pointer, Aluminium black	
Movement	Stainless steel	
Measuring element	Stainless steel 1.4571 ≤100 bar Bourdon tube, >100 bar helical tube	
Pressure connection, position	Stainless steel, side at 3 o'clock	
- thread	Radial entry with pressure gauge valve and LH/RH union M20x1.5	
Temperatures, medium	Tmin. -20°C, Tmax. 200°C	
- Ambient	Tmin. -40°C, Tmax. 60°C	
Temperature drift	0.3 %/10K if deviation from normal temperature 20°C	
Protection	IP 54 to EN 60 529/IEC 529	
Calibration medium	≤25 bar: gas , >40 bar: oil	≥ 4 bar: oil
Orifice		ø 0.4 ; ø 0.8
Accessories	Carrying case, shut-off valve, several span sleeves	
Weight approx.	3.8 kg	

1) Please state the used medium when ordering, because with the change of the pressure transmitting medium gas (G) or liquid (F), display changes can take place

## Dimensions



Subject to technical changes