

Digital pressure gauge DC 400 with integrated bar graph display

Accuracy 0.5%



Description

The digital pressure gauge DC400 is the ideal solution for a local digital display of pressure, independent of an external power supply. It is battery powered by two mignon batteries (AA-cell). Due to this feature the digital pressure gauge is predestinated for mobile applications.

The fine stepped measuring ranges are available from 0-5 bar up to the high pressure range of 0-700 bar. The case and media affected parts are made of stainless steel and thus resistant against many chemically aggressive media.

The additional integrated bar graph display with a maximum pointer function shows the measuring value in relation to the maximum pressure and it shows also the highest measured pressure. By pressing the MIN or the MAX button, the highest and lowest pressure values measured are shown in the display.

Model P3962 has an additional 4 ½ - digit display where the MIN or the MAX value are shown permanently. Furthermore a tare function and a backlight are integrated in model P3962.

Adjustments of unit, password, tare function, auto-off time and so on are made via the 3 buttons on the front.

Features

- Measuring ranges from 0-5 bar to 0-700 bar
- Fine step selection of nominal pressure ranges
- LC-Display – digits 11 mm high
- Bar graph display with a maximum pointer function
- Tare function (P3962)
- Password protection
- MIN/MAX-memory
- Display with background illumination (P3962)
- High overload protection

Measuring ranges

-1...5 bar up to -1...10 bar
0...5 bar up to 0...700 bar

Applications

Machine building,
Plant and apparatus construction
Hydraulics, pneumatics
Test equipment

Model: P3961, P3962

Technical data

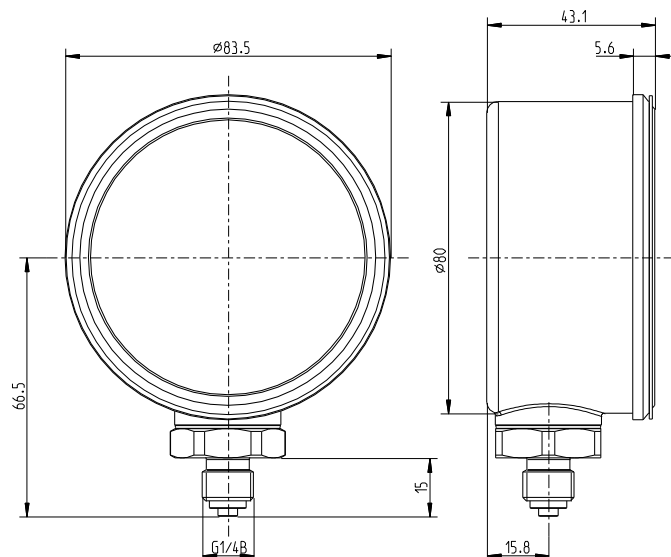
Series	P3961	P3962
Display		
– Range	7-segment LCD display, 11 mm high 9999 digit Bar graph display	7/14-segment LC-Display, 11 mm high 19999 digit second display 19999 digit, 7 mm high Bar graph display
– Accuracy	0.5% of FS ± 1 digit ¹⁾ 1% of F.S. for -1..0 bar for compound ranges	0.5 % of FS ± 1 digit ¹⁾ 1% of F.S. for -1..0 bar for compound ranges
– Conversion rate	5 /sec	5 /sec
Measuring ranges to EN	-1...5 bar up to -1...10 bar; 0...5 bar to 0...700 bar	
Type of pressure	positive overpressure, negative overpressure	
Overload limit	2-times, max .1000 bar	
Media affected parts	Stainless steel, thin-film sensor	
Pressure connection	G ¼ B, ¼ NPT others on request	G ¼ B, ¼ NPT (300°) Rotatable
Stability per year	$\leq \pm 0.2$ % of FS under reference conditions	
Peak value memory	MIN / MAX (will be stored even after exchange of batteries)	
Programmable parameter		
– tare	without	$\leq \pm 20\%$ of FS
– auto-off time	without	15, 30, 60, 120 min
– measuring unit	bar, PSI, MPa	bar, PSI, MPa
Backlight	no	yes
Power supply	2 x 1.5V Mignon Batteries (AA-cell)	
Batterie life time	4000 hrs (AA 2000 mAh)	
Temperature comp. range	0... 60°C	
Temperature influence		
– Zero point	$\leq \pm 0.15\%$ /10 K	
– Measuring span	$\leq \pm 0.15\%$ /10 K	
Ingress protection	IP 65 to EN 60529 / IEC 529	
Permitted rel. humidity	< 90%, non-condensing	
Emitted interference ²⁾	to EN 61326	
Interference immunity ²⁾	to EN 61326	
Temperature ranges		
– Storage	-20 ... 70 °C	
– Measured medium	-30 ... 100°C	
– Ambient	-10 ... 60 °C	
Case	Stainless steel, option: black protective cap	
Weight	Approx. 0.4 kg	

FS = full-scale reading

- 1) Meas. deviation accord. to IEC 61298-2, including non-linearity, hysteresis, zero-point and final value deviation.
2) Declaration of conformity on request

Dimensions (mm)

Case



Ordering data:

- Series
- Measuring range
- Options

Subject to changes without prior notice