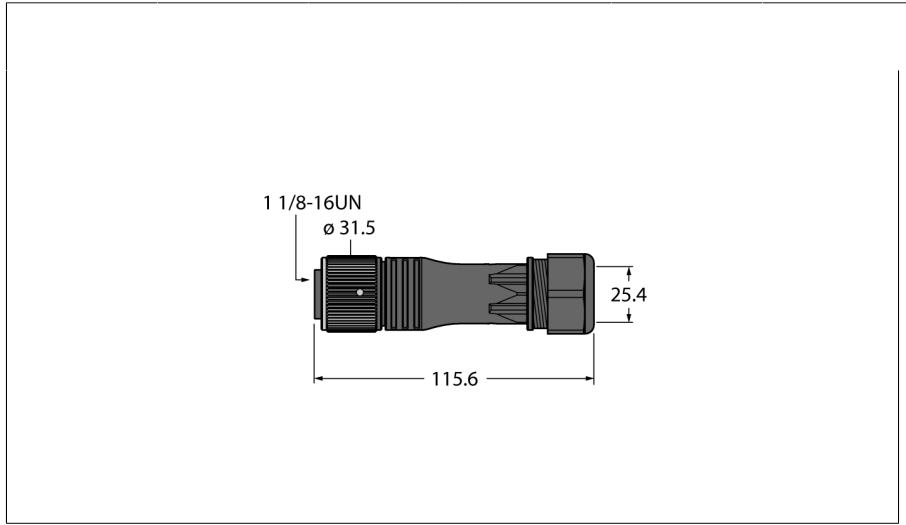
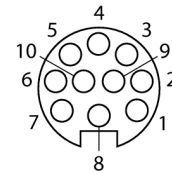


1 1/8" Round connector
Female, straight, customizable
B71101-0/21



- Metal coupling nut
- Protection class IP67
- Screw-clamp terminal
- 10-pin
- PG21 screw-in thread
- Cable bushing 9.0 ... 16.0 mm

Pin Assignment



Type code	B71101-0/21
Ident-No.	6601606
Ident-No (TUSA)	U2-04061

Connector A side	Field-wireable, female, 1 1/8-16 UN, Straight
Number of Pins	10
Contacts	brass, CuZn, gold-plated
Contact carriers	plastic, PA, black
Grip	Plastic, PA, black
Coupling nut/screw	brass, CuZn, nickel-plated
Screw-in thread	PG21
External diameter of the cable	min. 13... 18mm
Connection mode	screw/clamp connection
Pollution degree	3
Protection class	IP67, (screwed together)

Electrical features at +20 °C	
Rated Voltage	600 V
Ampacity	7 A
Insulation resistance	≥ 10 ⁸ Ω

Mechanical and chemical properties	
Ambient temperature	
Stationary	-40 ... 105°C