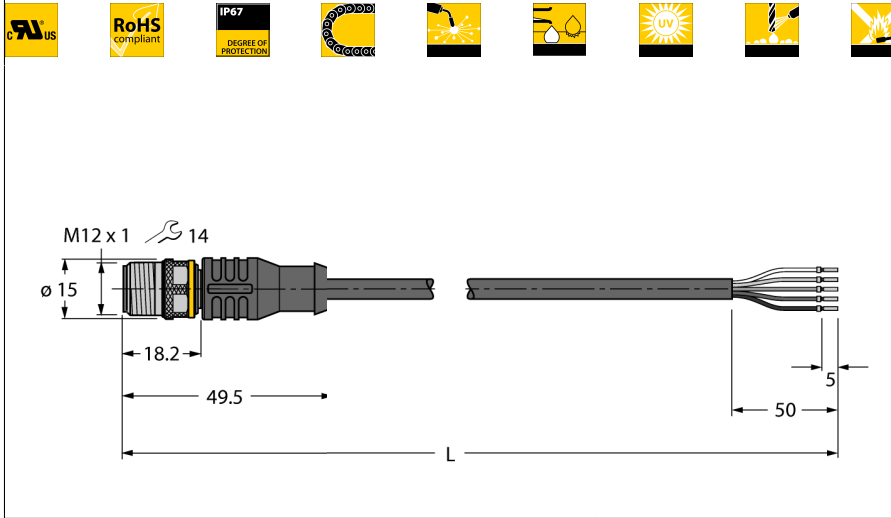


**Actuator/Sensor cable, PUR**  
**Connection cable**  
**RSC4.5T-2/TXY3013**



- Male M12, straight, 5-pin
- Sheath material: PUR
- Sheath color: yellow
- Grip color: yellow
- Qualified for drag chain use
- Resistant to weld splatter
- Resistant to chemicals, UV radiation and oils
- Flame retardant
- Free from halogen, silicone, PVC and LABS
- Particularly resistant to abrasion
- Approval: cULus
- RoHS-compliant
- Protection class IP67
- Cable length: 2.0 m

**Type code** RSC4.5T-2/TXY3013  
**Ident no.** 6630912

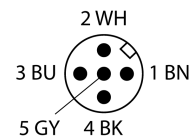
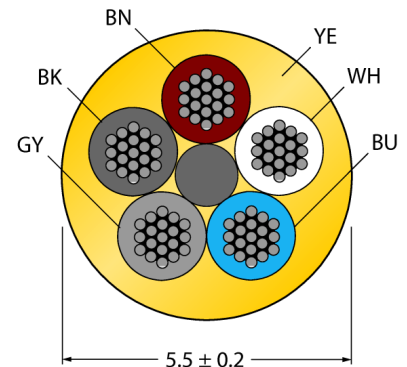
Connector A side	Male connector, M12 x 1, straight
Number of Pins	5
Contacts	brass, CuZn, gold-plated
Contact carriers	plastic, TPU, black
Grip	Plastic, TPU, yellow
Coupling nut/screw	brass, CuZn, nickel-plated
Protection class	IP67, A + B side screwed together
Mechanical lifespan	> 100 mating cycles
Pollution degree	3
Tightening torque	0.8 ... 1 Nm (observe max. torque of counter piece!)

General data	
Cable diameter	5.5 +/-0.20mm
Cable length	2 m
Cable Jacket Material	PUR
Cable Jacket Color	yellow
Core insulation	PP
Core colors	BN, WH, BU, BK, GY
Core cross-section	5x0.34mm <sup>2</sup>
Arrangement of strands	42x0.1 mm

Electrical features at +20 °C	
Ampacity	4 A
Rated Voltage	60 V
Insulation resistance	> 30.5 MΩ/km
Test voltage	2000 V
Forward resistance	max. 57 Ω/km

Mechanical and chemical properties	
Max. tensile strength (static)	≤ 50 N/mm <sup>2</sup>
Max. tensile strength (dynamic)	≤ 20 N/mm <sup>2</sup>
Bending cycles	> 5 mil.
Bending radius (stationary laying)	> 5 x Ø
Bending radius (flexible use)	> 10 x Ø
Admissible acceleration	max. 5 m/s <sup>2</sup>
Admissible travel path, horizontal	5 m (at 5 m/s <sup>2</sup> )
Admissible travel path, vertical	2 m (at 5 m/s <sup>2</sup> )
Admissible traversing speed	3.3 m/s
Torsional stress	± 180 °/m
Ambient temperature	
Stationary	-50 ... 80°C
In motion	-25 ... 80°C
Drag chain operation	-25 ... 60°C

**Cable Cross-section**



**General information**

Drawing depicts design version including hexagon coupling nut (Production date after CW11/2016).

**Circuit diagram**

