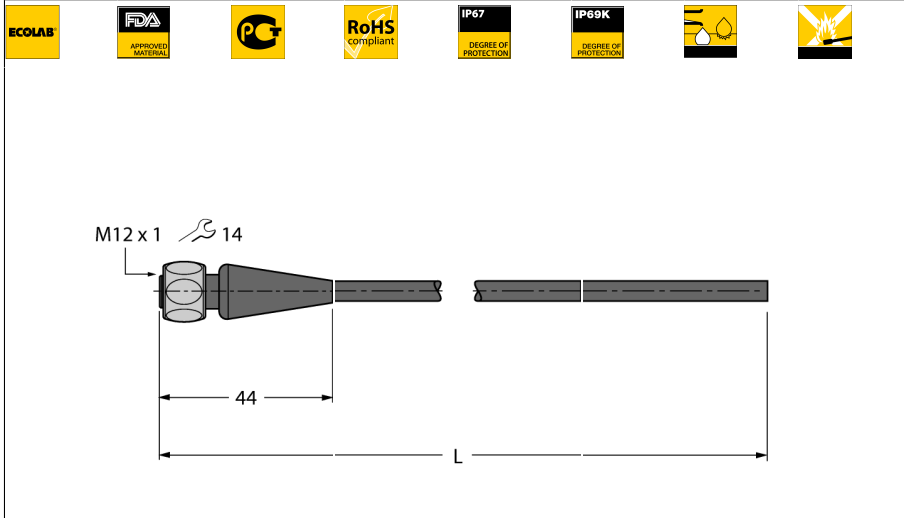


**Food & Beverage Hygienic / PVC
connection cable
RKH4.4-10/TFE**

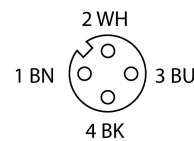
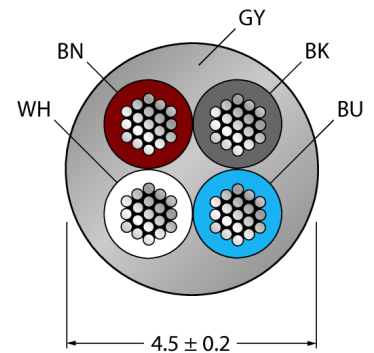
TURCK

Industrial
Automation

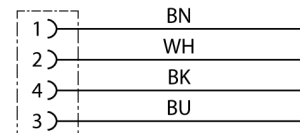


- M12 female, straight, 4-pin
- Stainless steel coupling nut/screw
- Sheath material: PVC
- Sheath color: gray RAL 7040
- Resistant to acids and alkalis
- Resistance oils and chemicals
- Flame retardant acc. to DIN EN 60332 1-2, DIN EN 60332 2-2, VDE 0482 332-1-2, VDE 0482 332-2-2
- LABS free
- RoHS-compliant
- Protection classes IP67, IP69K
- Cable length: 10 m

Pin assignment



Circuit diagram



Type code	RKH4.4-10/TFE
Ident no.	6934475
Connector A side	Female, M12 x 1, straight
Number of Pins	4
Contacts	metal, CuZn, gold-plated
Contact carriers	plastic, PP, grey
Grip	Plastic, PP, grey
Coupling nut/screw	Stainless steel, V4A
Seal	plastic, FPM/FKM
Protection class	IP67, IP69K, A + B side screwed together
Mechanical lifespan	> 100 mating cycles
Pollution degree	3
Tightening torque	0.8 ... 1 Nm (observe max. torque of counter piece!)
General data	
Cable diameter	4.5 +/-0.20mm
Cable length	10 m
Cable Jacket Material	PVC
Cable Jacket Color	grey
Core insulation	PVC
Core colors	BN, WH, BU, BK
Core cross-section	4x0.34mm ²
Arrangement of strands	19x0.15 mm
Electrical features at +20 °C	
Ampacity	4 A
Rated Voltage	250 V
Test voltage	1500 V
Mechanical and chemical properties	
Bending radius (stationary laying)	> 3 x Ø
Bending radius (flexible use)	> 10 x Ø
Ambient temperature	
Stationary	-20 ... 80°C
In motion	0 ... 80°C