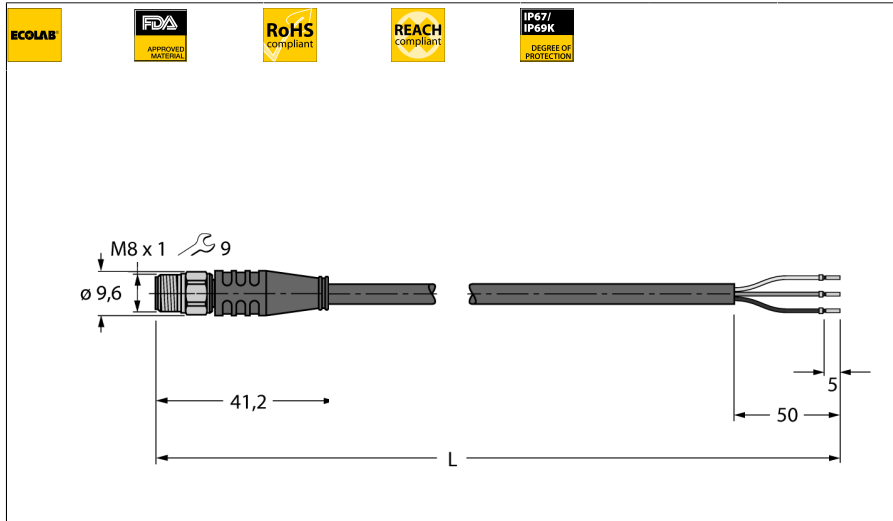


**Actuator And Sensor Cable / PP-EPDM
connection cable
PSGV3M-2/TFW**



- M8 male, straight, 3-pin
- Stainless steel coupling nut/screw
- Sheath material: PP-EPDM
- Sheath color: white
- Resistant to acids and alkaline solutions
- Resistant to detergents and disinfectants
- Resistant to hydrolysis acc. to DIN EN 60068-2-78
- Free from silicone and PVC
- Halogen-free acc. to DIN EN 50267-2-1, IEC 60754-1, VDE 0482-267-2-1
- Approvals: Ecolab, FDA
- RoHS and REACH compliant
- Protection classes IP67, IP69K
- Cable length: 2.0 m

Type code PSGV3M-2/TFW
Ident no. 6934655

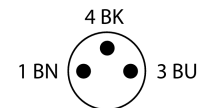
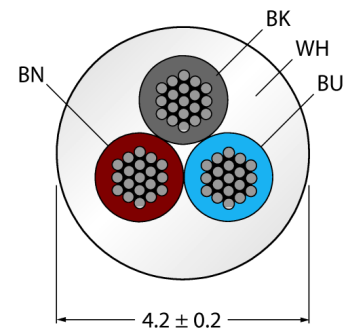
| | |
|-------------------------|---|
| Connector A side | Male connector, M8x1, straight |
| Number of Pins | 3 |
| Contacts | metal, CuZn, gold-plated |
| Contact carriers | plastic, PP, white |
| Grip | Plastic, PP, white |
| Coupling nut/screw | Stainless steel, V4A |
| Protection class | IP67, IP69K, A + B side screwed together |
| Mechanical lifespan | > 100 mating cycles |
| Pollution degree | 3 |
| Tightening torque | 0.5 ... 0.6 Nm (observe max. torque of counter piece!) |

| | |
|------------------------|-----------------------|
| General data | |
| Cable diameter | 4.2 +/-0.20mm |
| Cable length | 2 m |
| Cable Jacket Material | PP-EPDM |
| Cable Jacket Color | white |
| Core insulation | PE |
| Core colors | BN, BU, BK |
| Core cross-section | 3x0.34mm ² |
| Arrangement of strands | 42x0.1 mm |

| | |
|--------------------------------------|--------------|
| Electrical features at +20 °C | |
| Ampacity | 4 A |
| Rated Voltage | 60 V |
| Test voltage | 500 V |
| Forward resistance | max. 57 Ω/km |

| | |
|---|---------------|
| Mechanical and chemical properties | |
| Bending radius (stationary laying) | > 5 x Ø |
| Bending radius (flexible use) | > 10 x Ø |
| Ambient temperature | |
| Stationary | -40 ... 105°C |
| In motion | 0 ... 80°C |

Cable Cross-section



Circuit diagram

