

# Stopcock for pressure measuring instruments

## Model 910.10, brass, steel or stainless steel

WIKA data sheet AC 09.01

### Applications

Shut-off device for pressure measuring instruments, for measurement of liquids, gases and vapours

### Special features

- Version per DIN 16261, DIN 16262 and DIN 16263
- Nominal pressures to  $\leq 25$  bar
- Operating temperature  $\leq 50$  °C



**Stopcock**  
Female / male G  $\frac{1}{2}$  / G  $\frac{1}{2}$  B, DIN 16261, PN 25

### Description

Stopcocks provide the opportunity to either vent the connected pressure gauge according to the position of the handle (venting position), i.e. put it into a pressure-free state, or to vent the pressure measuring instrument under pressure (operating position) or to let the medium escape (blow position). The table on page 2 lists the nominal pressure PN for each version.

For higher pressures shut-off valves must be used.

### Test connection version

Stopcocks with test connection are intended for the simultaneous connection of operating pressure measuring instruments and test connection pressure gauges to the pressure pipeline. With this version, the third route, which leads to the outside at the standard version, is used as connection for a test connection pressure gauge. A fourth position of the handle enables the simultaneous connection of the operating and the test connection pressure measuring instruments to the pressure pipeline.

## Standard version

### Cock case (wetted part) and handle

Material: Brass CW614N <sup>1)</sup>, bright

Handle installed in the case with silicon free grease

### Test connection

Test pivot M20 x 1.5

or test flange Ø 40 x 5 mm resp. 60 x 25 x 10 mm

## Options

- Wetted parts: Brass, CW614N <sup>1)</sup>, chrome plated  
Steel  
Stainless steel 1.4571
- With gland packing, without venting bore (only at standard version)
- Special threads

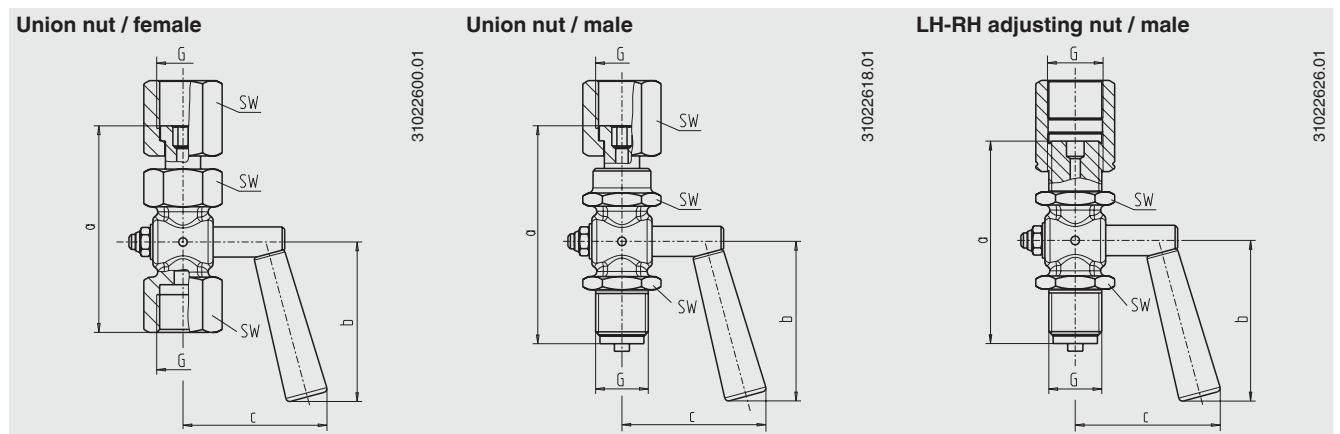
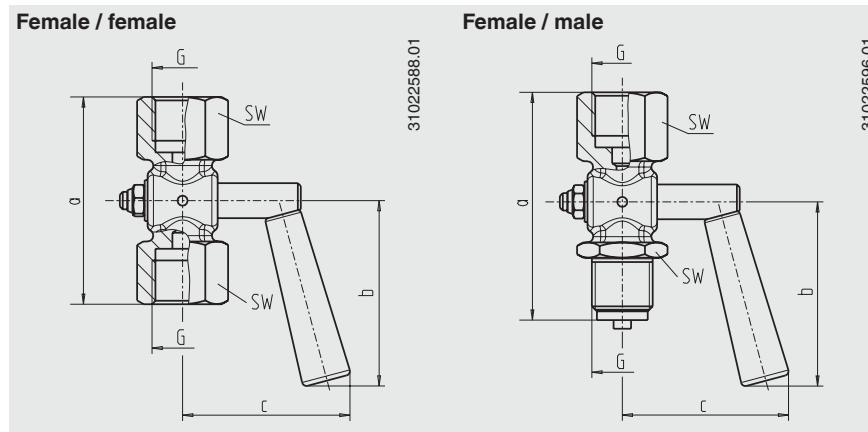
Design	Connection	PN in bar	Wetted parts	Order number
<b>Female / female</b>	G ¼	6	Brass	9090029
	G ⅜	16	Brass	9091807
	G ½	25	Brass	9090045
■ With test flange Ø 40 x 5	G ½	25	Brass	9091777
■ With test flange 60 x 25 x 10	G ½	25	Brass	9090053
■ With gland packing <sup>2)</sup>	G ½	25	Brass	9090061
<b>Female / male</b>	G ¼	6	Brass	9090070
	G ⅜	16	Brass	9091815
	G ½	25	Brass	9090096
■ With test flange Ø 40 x 5	G ½	25	Brass	9091785
■ With test flange 60 x 25 x 10	G ½	25	Brass	9090100
■ With gland packing <sup>2)</sup>	G ½	25	Brass	9090118
<b>Union nut / female</b>	G ½	25	Brass	9090126
■ With test flange 60 x 25 x 10	G ½	25	Brass	9090134
<b>Union nut / male</b>	G ½	25	Brass	9090142
■ With test flange 60 x 25 x 10	G ½	25	Brass	9090150
<b>LH-RH adjusting nut / male</b>	G ¼	6	Brass	9095080
	G ½	25	1.4571	9090959
	G ½	25	Brass	2087174
■ With test connection M20 x 1,5	G ½	16	Brass	9091130
■ With test connection M20 x 1,5	G ½	16	1.4571	9091149

1) Alternative: Brass CW617N

2) Medium temperature ≤ +80 °C without venting bore

# Dimensions in mm

## Standard version



Design	Entry per EN 837-1	Dimensions in mm			SW	Weight in kg
		a ±3	b ±3	c ±3		
Female / female	G ¼	48	29	30	17	0.06
Female / male	G ¼	51	29	30	17	0.06
Female / female	G ½	71	64	57	27	0.25
Female / male	G ½	78.5	64	57	27	0.28
Union nut / female	G ½	82	64	57	27	0.32
Union nut / male	G ½	87	63.5	57	27	0.33
LH-RH adjusting nut / male	G ½	87	63.5	57	27	0.40
Female / female	G ¾	62	64	43	22	0.14
Female / male	G ¾	60	64	43	22	0.12
LH-RH adjusting nut / male	G ¼	55	29	30	17	0.07

## Ordering information

To order the described product, the given order number is sufficient. Other options require additional specification.

© 03/2003 WIKA Alexander Wiegand SE & Co. KG, all rights reserved  
 The specifications given in this document represent the state of engineering at the time of publishing.  
 We reserve the right to make modifications to the specifications and materials.

