

Colani

GET IN
TOUCH

TILTED DIAMOND

Designed by Luigi Colani.

A GEM AMONG SIGNAL LAMPS



Innovations from RAFI always exhibit a great deal of style. This is once again confirmed by the “Tilted Diamond” signal lamp, which was developed in collaboration with the renowned product designer Luigi Colani.

There’s more to this lamp than meets the eye! “Tilted Diamond” owes its name to the special scattered light effect created by the diamond lens inside the signal lamp. In order to meet the demanding requirements in the industrial sector, the lamp was designed to be particularly durable and shock-resistant. Its high light refraction generates optimum illumination, enabling you to readily identify the signal lamp even at a distance and respond quickly, if necessary. Whether red, yellow, green, blue or transparent – simply choose the colour best suited to your application. And that’s not all: the bright lamp is easy to install, the LEDs are

energy-efficient and do not need to be replaced. In short, there is no maintenance involved.

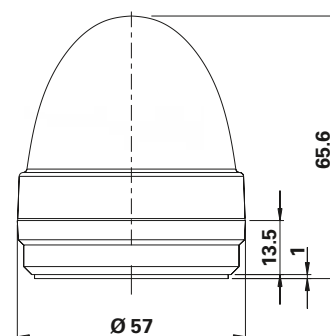
Here are all the benefits of the “Tilted Diamond” signal lamp at a glance:

- ▶ Special scattered light effect created by diamond lens
 - ▶ Long-lasting, bright LEDs
 - ▶ Energy-efficient: low power consumption
 - ▶ No maintenance: exceptionally shock-resistant, no need to replace the light source
 - ▶ Connector strip: for easy connection
 - ▶ Available colours: red, yellow, green, blue, transparent/white
-

SIGNAL LAMP

"TILTED DIAMOND"

→ The no-maintenance "Tilted Diamond" signal lamp is available in five different cap colours. Four integral LEDs and the diamond lens create the special scattered light effect. Its low power consumption, easy connection and exceptional shock resistance make the 65.6 mm high "Tilted Diamond" a true gem among industrial signal lamps.



Technical data

→ General

Cap shape	round
Cap colour	see order pad
Collar diameter	57 mm

→ Installation dimensions

Height	65.6 mm
--------	---------

→ Mechanical construction

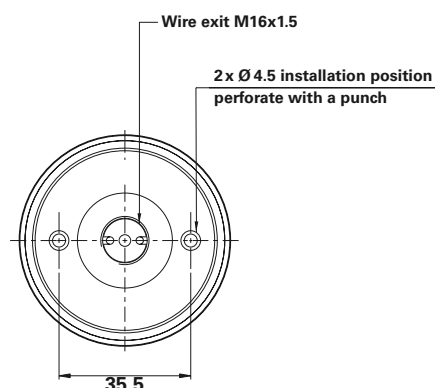
Fixing	2x screws
Connections	flat terminal
Light source	4 LEDs

→ Electrical data

Operating voltage U_B	24 V DC
Current drain I_{CC} typ.	see order pad

→ Other information

Working temperature	min. -30 °C, max. +50 °C
Protection class, front	IP 65
Weight	55 g
ROHS compliant	yes
REACH compliant	yes



Approvals



UL 508 in
preparation

→ Cap colour	Operating voltage U_B	Current drain I_{CC} typ.	Power consumption	Order no.
translucent white	24 V	18.4 mA	0.45 W	1.69.010.001/1000
translucent red	24 V	25.9 mA	0.63 W	1.69.010.001/1300
translucent yellow	24 V	25.9 mA	0.63 W	1.69.010.001/1400
translucent green	24 V	23.0 mA	0.56 W	1.69.010.001/1500
translucent blue	24 V	21.8 mA	0.53 W	1.69.010.001/1600



RAFI GmbH & Co. KG

Ravensburger Str. 128-134, D-88276 Berg/Ravensburg, Germany
Tel.: +49 751 89-0, Fax: +49 751 89-1300
www.rafi.de, info@rafi.de

RAFI